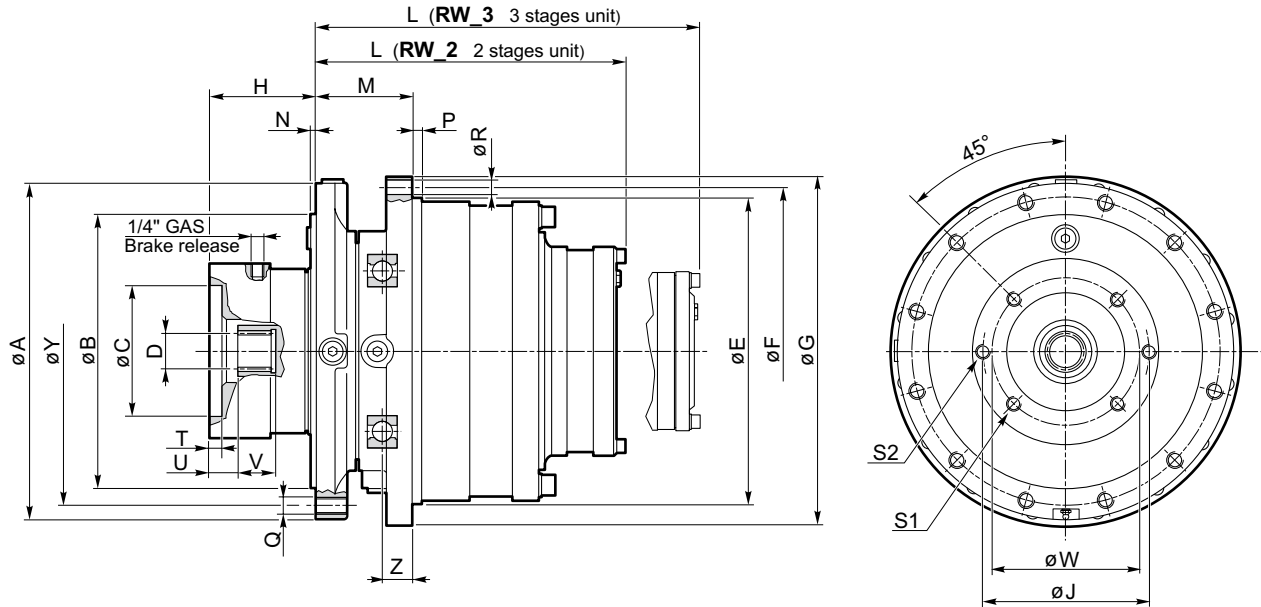




## RIDUTTORI EPICICLOIDALI PER ARGANO - PLANETARY WINCH DRIVES



### Dimensioni generali - General dimensions

Tipo / Type	A	B	E	F	G	L	M	N	P	Q	R	Y	Z
RW 512	262	215 f7	246 f7	271	291	246.5	75	11	10	n° 12 M12	n° 12 Ø13	240	20
RW 513	262	215 f7	246 f7	271	291	289.5	75	11	10	n° 12 M12	n° 12 Ø13	240	20
RW 612	262	215 f7	246 f7	271	291	251	75	11	10	n° 12 M12	n° 12 Ø13	240	20
RW 613	262	215 f7	246 f7	271	291	293	75	11	10	n° 12 M12	n° 12 Ø13	240	20
RW 812	330	270 f7	297 f7	327	352	305	100	6	12	n° 12 M16	n° 12 Ø17	300	26.5
RW 813	330	270 f7	297 f7	327	352	348.5	100	6	12	n° 12 M16	n° 12 Ø17	300	26.5
RW 1022	330	270 f7	297 f7	327	352	340	100	6	12	n° 12 M16	n° 12 Ø17	300	26.5
RW 1023	330	270 f7	297 f7	327	352	395.5	100	6	12	n° 12 M16	n° 12 Ø17	300	26.5
RW 1522	393	320 f7	352 f7	383	408	363	113	6	11	n° 12 M20	n° 16 Ø17	360	34.5
RW 1523	393	320 f7	352 f7	383	408	418.5	113	6	11	n° 12 M20	n° 16 Ø17	360	34.5
RW 2522	393	320 f7	415 f7	448	473	413	115	6	24	n° 16 M20	n° 24 Ø17	360	29.5
RW 2523	393	320 f7	415 f7	448	473	472	115	6	24	n° 16 M20	n° 24 Ø17	360	29.5
RW 3512	505	415 f7	455 f7	515	560	536	138.5	15	19	n° 18 M24	n° 18 Ø25	460	37.5
RW 3513	505	415 f7	455 f7	515	560	613	138.5	15	19	n° 18 M24	n° 18 Ø25	460	37.5
RW 5022	540	370 f7	550 f7	590	630	632	115	15	9	n° 24 M24	n° 24 Ø26	430	29.5
RW 5023	540	370 f7	550 f7	590	630	701	115	15	9	n° 24 M24	n° 24 Ø26	430	29.5
RW 6522	540	370 f7	550 f7	590	630	715	115	15	9	n° 24 M24	n° 24 Ø26	430	29.5
RW 6523	540	370 f7	550 f7	590	630	810	115	15	9	n° 24 M24	n° 24 Ø26	430	29.5

### Dimensioni ingressi - Input dimensions

	C	D	H	T	U	V	W	S1	J	S2
Input SAE B	101.6 H8	DP16/32 Z13	138	10	8	30	127	n°4 M12	146	n° 2 M14
Input SAE C	127 F8	DP12/24 Z14	114	15	16	48	162	n°4 M12	181	n° 2 M16
Input SAE D	152.5 F8	DP8/16 Z13	128	15	33	47	229	n°4 M20	/	/

Altre predisposizioni su richiesta - Different input on demand



## RIDUTTORI EPICICLOIDALI PER ARGANO - PLANETARY WINCH DRIVES

**Prestazioni RW\_2 (2 stadi) - RW\_3 (3 stadi)**  
**Ratings RW\_2 (2 stages) - RW\_3 (3 stages)**

Coppie nominali secondo FEM 1.001 sezione 1 - 3ª edizione-1987  
 Nominal torques according to FEM 1.001 part 1 - 3<sup>rd</sup> edition-1987

Size	Ratio	Fem L2-T5 at 25 rpm [Nm]	Max Dynamic Torque [Nm]	Max Static Torque [Nm]
<b>RW 512</b>	13.79	7190	8520	8950
	17.12	7280	10580	11100
	21.74	5940	10770	11350
	23.52	6470	10840	11390
	29.77	6010	10900	11480
	34.77	5060	9270	11540
	37.40	5790	10970	11240
43.64	5090	9330	11600	
<b>RW 513</b>	42.60	7580	11050	11600
	52.41	7620	11090	11650
	62.05	7590	11130	11680
	64.43	7640	11130	11690
	71.28	7660	11150	11710
	76.24	7610	11160	11720
	84.33	7620	11170	11730
	89.20	6490	11180	11740
	95.93	6150	11150	11750
	105.49	7610	11200	11760
	109.50	7690	11200	11760
	123.48	5170	9460	11770
	129.45	7650	11220	11780
154.35	5170	9480	11790	
162.71	6170	11190	11800	
189.31	5180	9490	11810	
<b>RW 612</b>	13.40	9440	11100	11650
	16.00	9550	13250	13910
	18.32	8510	15170	15930
	20.33	9670	15470	16250
	23.80	8940	15580	16360
	27.18	8650	15770	17090
	29.00	7000	14060	16480
	33.09	7930	15870	19680
	49.11	9950	18400	19870
<b>RW 613</b>	55.95	8810	16060	17410
	60.39	9980	15970	16770
	68.76	8840	16110	17470
	73.24	10010	16010	16820
	83.36	8870	16150	17510
	93.41	8880	16170	17540
	97.07	8880	16180	17540
	102.35	8890	16190	17550
	110.45	8890	16200	17560
	122.08	10070	16100	16910
	142.08	9250	16120	16930
	152.60	10080	16130	16930
	161.59	8920	16250	17610
173.55	8920	16250	17620	
201.91	8930	16270	17640	
<b>RW 812</b>	14.14	11570	11710	12300
	18.00	9470	14910	15650
	21.15	10630	17520	18390
	24.75	9280	18440	21520
	30.62	8960	16200	23510
	35.11	7610	13870	23610
	37.25	8870	16290	19740
	42.68	7640	13940	23720
<b>RW 813</b>	43.63	12350	21730	23740
	53.68	12400	21820	23840
	63.55	12200	21880	23900
	76.10	10990	19560	23970
	86.35	10950	21970	24000
	93.45	11010	19610	24020
	100.85	11020	19620	24040
	108.62	9900	19300	24060
	114.96	9180	16580	24070
	126.81	11040	19660	24090
	135.80	9650	19330	24100
	147.58	9590	19060	24120
	158.51	11060	19690	24130
	184.43	9600	19090	24150
194.84	9210	16640	24160	
207.30	7790	14200	24160	

Quando sono richieste approvazioni da enti esterni (DNV;ABS;API etc.), per la selezione contattare l'Ufficio Commerciale  
 When approvals are required by third parties(DNV;ABS;API etc.), please contact the Commercial Sales Department for the selection



## RIDUTTORI EPICICLOIDALI PER ARGANO - PLANETARY WINCH DRIVES

**Prestazioni RW\_2 (2 stadi) - RW\_3 (3 stadi)**

Coppie nominali secondo FEM 1.001 sezione 1 - 3ª edizione-1987

**Ratings RW\_2 (2 stages) - RW\_3 (3 stages)**

Nominal torques according to FEM 1.001 part 1 - 3<sup>rd</sup> edition-1987

Size	Ratio	Fem L2-T5 at 25 rpm [Nm]	Max Dynamic Torque [Nm]	Max Static Torque [Nm]
<b>RW 1022</b>	14.14	11710	11710	12300
	16.65	13790	13790	14480
	18.00	14910	14910	15650
	21.09	16470	17460	18340
	24.75	15500	20500	21520
	30.15	14960	24970	26220
	37.25	13040	24130	31320
	42.68	11060	20170	21960
<b>RW 1023</b>	43.63	17880	29950	31450
	53.68	17950	31580	34470
	65.12	18010	30170	31680
	72.99	18040	31740	34630
	80.00	18060	31780	34680
	93.16	17070	31830	34740
	100.85	15960	28420	34760
	108.79	15980	28440	34790
	126.81	16000	28480	34830
	135.80	18150	31940	34850
	147.58	16010	28510	34870
	158.03	17150	31970	34890
	167.13	9590	14480	15210
	184.43	16040	28550	34920
207.30	11260	20540	22360	
226.66	13330	24090	34950	
<b>RW 1522</b>	17.90	18870	21930	23030
	20.82	22370	25510	26780
	24.36	18880	29850	31350
	27.00	19210	32240	33850
	29.68	14740	29640	33960
	31.55	19310	32410	34030
	38.38	18790	32590	34220
	45.73	15330	28090	31480
<b>RW 1523</b>	50.25	25460	30480	32000
	61.78	25550	32900	34550
	73.12	25610	32990	34640
	83.97	21520	33040	34700
	92.01	23200	33080	34730
	99.31	25210	33100	34760
	108.04	19740	33130	34790
	118.37	19760	33160	34810
	124.87	23260	33170	34830
	137.77	19780	33200	34860
	156.09	22290	33220	34890
	160.54	19800	33230	34890
	186.79	19820	33260	34920
	200.60	19830	33270	34930
221.87	15590	28570	34950	
233.36	19840	33290	34960	
<b>RW 2522</b>	17.53	30370	30370	31890
	19.40	32530	33620	35300
	21.27	24290	36850	38690
	25.52	31560	44220	46430
	29.28	31710	50740	53280
	30.88	24630	45140	56180
	34.66	30680	57680	63060
	41.86	24830	45520	61080
<b>RW 2523</b>	50.30	42940	62730	65860
	59.56	43070	69510	72980
	69.62	40550	74970	78720
	77.73	32380	58590	79150
	87.62	40670	75190	78950
	94.47	32450	58720	79330
	102.02	35340	75310	79070
	107.80	33890	66300	79110
	114.20	32510	58830	79470
	125.48	33940	66390	79220
	140.44	32560	58920	79600
	152.00	33430	66480	79320
	163.42	32590	58980	79680
	186.75	32620	59030	79740
	197.90	32630	59050	79760
	266.43	31440	59120	66920

Quando sono richieste approvazioni da enti esterni (DNV;ABS;API etc.), per la selezione contattare l'Ufficio Commerciale  
 When approvals are required by third parties(DNV;ABS;API etc.), please contact the Commercial Sales Department for the selection



## RIDUTTORI EPICICLOIDALI PER ARGANO - PLANETARY WINCH DRIVES

**Prestazioni RW\_2 (2 stadi) - RW\_3 (3 stadi)**

Coppie nominali secondo FEM 1.001 sezione 1 - 3ª edizione-1987

**Ratings RW\_2 (2 stages) - RW\_3 (3 stages)**

Nominal torques according to FEM 1.001 part 1 - 3<sup>rd</sup> edition-1987

Size	Ratio	Fem L2-T5 at 25 rpm [Nm]	Max Dynamic Torque [Nm]	Max Static Torque [Nm]
<b>RW 3512</b>	15.88	49500	54320	57030
	18.68	49940	63900	67090
	21.59	40010	72630	77550
	23.16	50440	79230	83200
	26.59	47260	90960	95510
	30.67	40540	73590	110170
	36.29	40740	73950	117090
	43.31	35330	64900	71980
<b>RW 3513</b>	48.25	63410	79620	83610
	57.14	63610	94300	99010
	70.72	51880	96880	118590
	83.82	60630	113180	121400
	89.00	52030	93530	121490
	97.89	56750	109100	121610
	103.94	52110	93680	121680
	118.63	54510	109290	121830
	127.84	52210	93850	121900
	139.04	41560	75450	121980
	148.78	52260	93950	122030
	170.03	48750	94030	105830
	180.18	52320	94060	122170
195.33	41650	75600	121570	
205.89	48800	94120	105930	
236.49	41680	75670	121680	
<b>RW 5022</b>	13.20	69880	96810	101650
	15.95	69880	97990	102890
	17.51	61600	105740	131190
	21.09	61600	106710	136070
	25.59	46380	72110	75720
	27.35	61600	107830	137500
	33.13	46380	72730	76370
	39.50	46380	73080	76730
<b>RW 5023</b>	50.13	60780	78310	82220
	60.01	68780	93740	98420
	71.03	67710	102690	107830
	74.76	58260	102760	107900
	77.30	69880	102810	107950
	91.44	69880	103010	108160
	104.08	65340	103150	108300
	115.00	69880	103240	108400
	120.13	61600	110850	141350
	133.85	69880	103370	108530
	142.00	61600	110990	141530
	150.20	61600	111030	141580
	162.13	69880	103500	108680
178.45	61600	111150	141730	
211.63	61600	111250	141860	
251.35	61600	111330	141960	
302.75	46380	74680	78420	
<b>RW 6522</b>	13.50	93390	145100	152360
	15.00	93390	146110	153420
	15.92	91700	156590	164420
	17.67	91700	157510	165390
	19.80	93390	148360	155780
	23.27	91700	159570	167550
	24.00	93390	149620	157100
	28.17	91700	160720	168760
<b>RW 6523</b>	50.66	76920	79120	83080
	56.00	82410	87470	91840
	65.50	91700	102310	107420
	73.10	93390	114180	119890
	76.54	90330	119550	125520
	85.40	93390	133390	140060
	88.06	93390	137550	144420
	94.20	88290	147130	154490
	102.85	93390	154350	162070
	105.08	93390	154380	162100
	120.13	93390	154570	162290
	126.50	93390	154630	162360
	144.59	93390	154780	162520
	165.40	91700	165430	173700
170.43	93390	154940	162690	
199.00	91700	165600	173880	

Quando sono richieste approvazioni da enti esterni (DNV;ABS;API etc.), per la selezione contattare l'Ufficio Commerciale  
 When approvals are required by third parties(DNV;ABS;API etc.), please contact the Commercial Sales Department for the selection



## RIDUTTORI EPICICLOIDALI PER ARGANO - PLANETARY WINCH DRIVES

### Classe del meccanismo - Mechanism class

	T0	T1	T2	T3	T4	T5	T6	T7	T8	T9
Durata in ore Life in hours	200	400	800	1600	3200	6300	12500	25000	50000	100000
<b>L1</b>	1.89	1.71	1.57	1.44	1.34	1.26	1.16	1.02	0.87	0.72
<b>L2</b>	1.50	1.36	1.24	1.14	1.06	1.00	0.92	0.81	0.69	0.57
<b>L3</b>	1.18	1.07	0.98	0.90	0.84	0.79	0.72	0.64	0.55	0.45
<b>L4</b>	0.95	0.86	0.78	0.72	0.67	0.63	0.58	0.51	0.44	0.36

Esempio - Example:  $C_{13-ti} = C_{12-t5} \cdot 1.07$

Queste coppie non devono mai superare il valore della coppia massima dinamica a tabella  
These torques must never be higher than the max dynamic torque in the rating table

### Capacità di carico cuscinetto - Bearing load

Tipo - Type	Co [N]	Cdyn [N]	Z
<b>RW 512 - RW 513</b>	65500	72800	20
<b>RW 612 - RW 613</b>	65500	72800	20
<b>RW 812 - RW 813</b>	100000	106000	26.5
<b>RW 1022 - RW 1023</b>	100000	106000	26.5
<b>RW 1522 - RW 1523</b>	125000	125000	34.5
<b>RW 2522 - RW 2523</b>	143000	143000	29.5
<b>RW 3512 - RW 3513</b>	195000	216000	37.5
<b>RW 5022 - RW 5023</b>	375000	291000	29.5
<b>RW 6522 - RW 6523</b>	375000	291000	29.5

### Prestazioni freni F5 - F5 Brake ratings

	F 501	F 502	F 503	F 504	F 506
Coppia statica [Nm] - Static torque [Nm]	105-112	211-224	290-309	396-421	616-656
Pressione inizio apertura [bar] - Start opening pressure [bar]	6.32	12.64	17.38	23.71	22.13
Pressione apertura totale [bar] - Full open pressure [bar]	9.48	18.96	26.08	35.56	33.19

### Prestazioni freni F9 - F9 Brake ratings

	F902	F903	F904	F906	F908	F910	F912	F915
Coppia statica [Nm] Static torque [Nm]	244.2-259.9	317.4-337.9	439.5-467.9	683.7-727.8	854.6-909.7	976.7-1039.7	1220.8-1299.6	1465-1559.5
Pressione inizio apertura [bar] Start opening pressure [bar]	12.47	16.22	14.97	17.46	17.46	19.96	24.95	29.94
Pressione apertura totale [bar] Full open pressure [bar]	15.95	20.74	19.15	22.34	22.34	25.53	31.91	38.29

Possibilità di freno con ruota libera per coppie fino a 1200 Nm - Option to have sprag clutch on brake for torques below 1200 Nm