

UK**INPUTS, ACCESSORIES, WEIGHTS , VOLUMES AND MOUNTING POSITIONS**

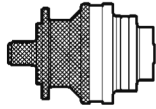
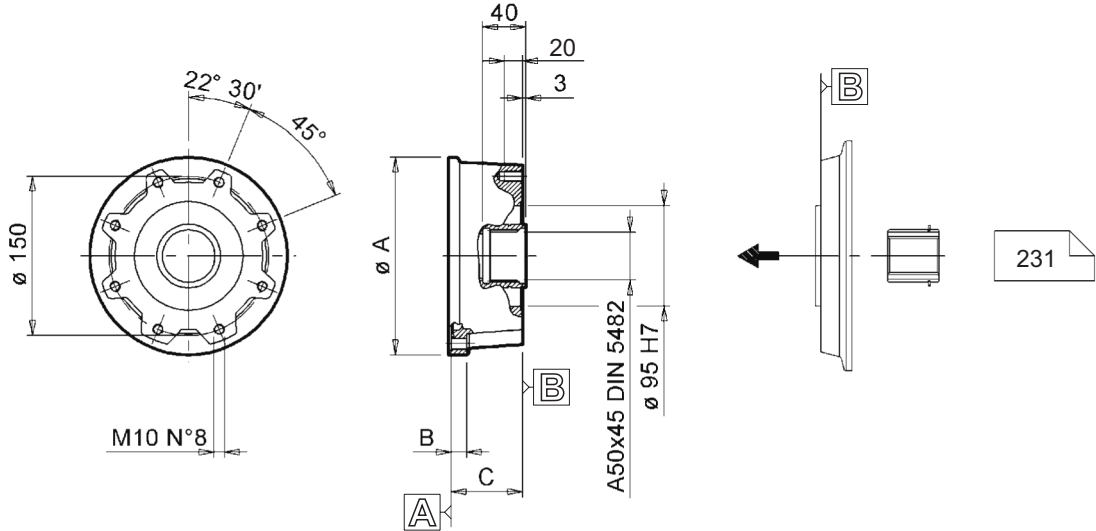
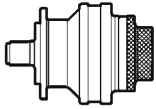
The accessory tables include motor, adapter flanges and brakes. This section shows also the gearboxes working positions options; the location for oil filling, oil level and oil drain ports, as well as breather plugs. Weights and oil volumes are purely indicatives because they vary in respect to the installed accessories and the reduction ratio. When a precise figure is needed please contact Dinamic Oil sales network specifying the complete ordering code.

E**PREDISPOSICIONES EN ENTRADA ACCESORIOS, POSICIONES DE MONTAJE, PESOS Y VOLUMENES**

Los cuadros de los accesorios incluyen bridas de adaptación, de los motores y frenos.

En esta sección estan tambien indicadas las posiciones de trabajo de los reductores et las posiciones de los tapones de carga, nivel descarga y de aceite y desfogue del aire. Los pesos de los reductoresy los volúmenes de aceite son puramente indicativos ya que varían al variar la relación y los accesorios montados en ellos. Si desea una información mas precisa, se ponga en contacto con la red de venta Dinamic Oil, comunicando el codigo de pedido manera completa.

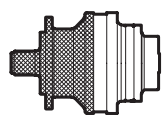
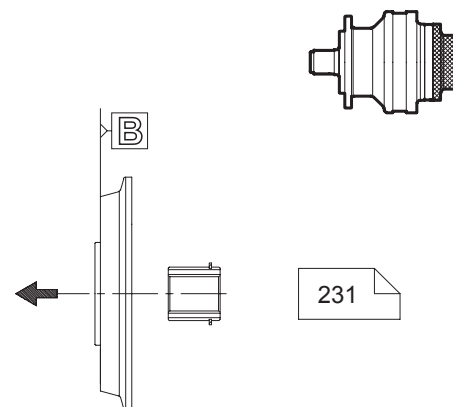
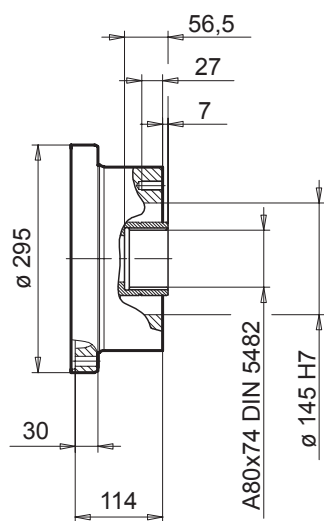
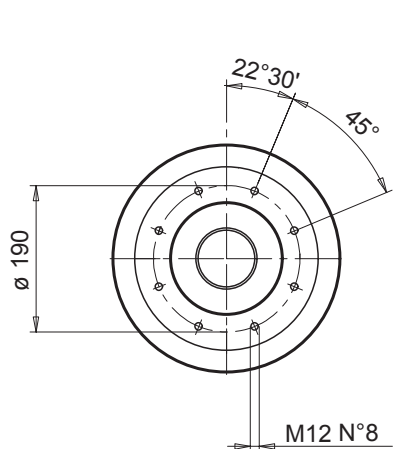
ST



| | ø A | B | C | CODE |
|--------------------------|-----|------|----|---------|
| RE 111 - 112 - 113 - 114 | 186 | 14.5 | 67 | K0700A1 |
| RE 211 - 212 - 213 - 214 | | | | |
| RE 241 - 242 - 243 - 244 | | | | |
| RE 312 - 313 - 314 | | | | |
| RE 512 - 513 - 514 | | | | |
| RE 813 - 814 | | | | |
| RE 1023 - 1024 | | | | |
| RE 1523 - 1524 | | | | |
| RE 2524 | | | | |
| RE 3514 | | | | |
| RE 5024 | | | | |
| RE 6025 | | | | |
| GB 11005 | | | | |
| GB 13005 | | | | |
| GB 18005 | | | | |

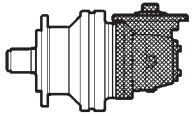
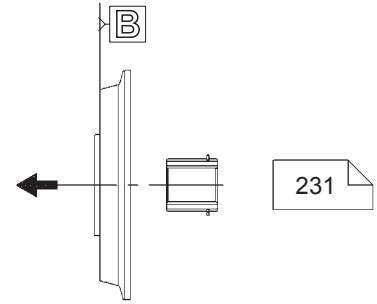
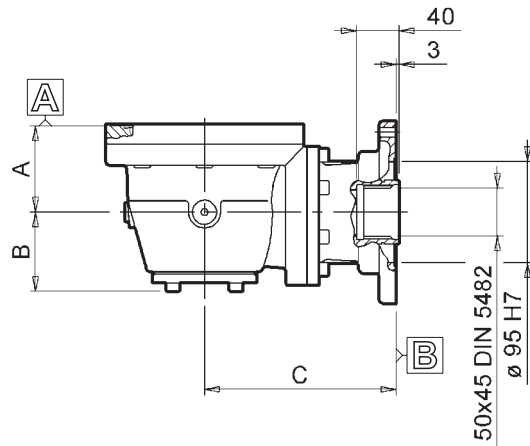
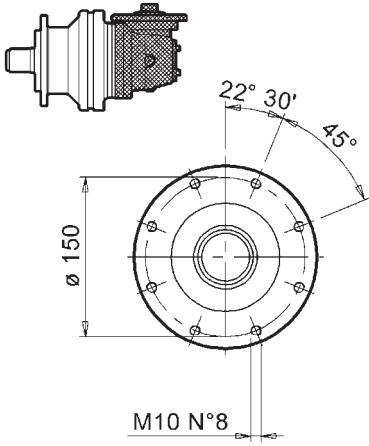
| | ø A | B | C | CODE |
|----------|-----|------|------|---------|
| RE 311 | 244 | 20.5 | 76.5 | K0700D2 |
| RE 511 | | | | |
| RE 812 | | | | |
| RE 1022 | | | | |
| RE 1522 | | | | |
| RE 2523 | | | | |
| RE 3513 | | | | |
| RE 5023 | | | | |
| RE 6524 | | | | |
| GB 11004 | | | | |
| GB 13004 | | | | |
| GB 18004 | | | | |
| GB 21005 | | | | |
| GB 26005 | | | | |
| GB 31005 | | | | |
| GB 37005 | | | | |
| GB 45005 | | | | |
| GB 53005 | | | | |

MU



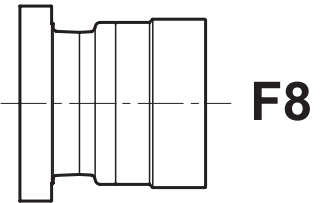
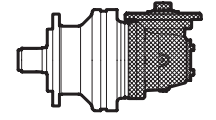
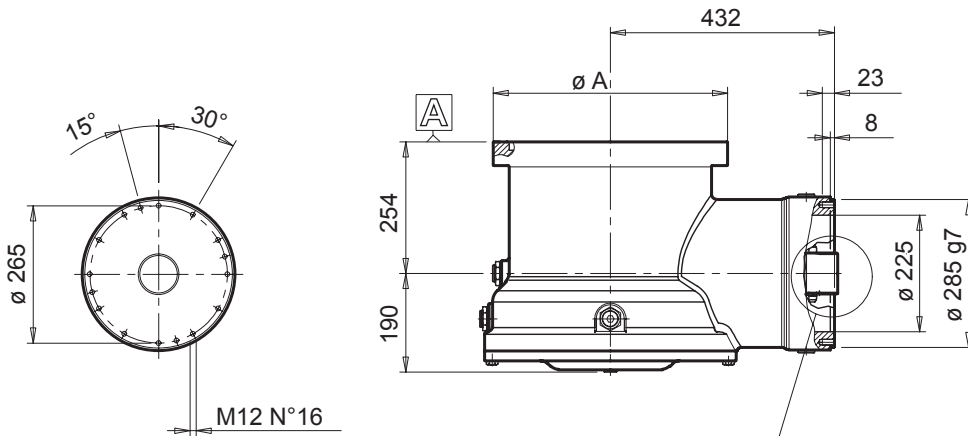
| | CODE |
|----------|---------|
| RE 811 | K0700D3 |
| RE 1021 | |
| RE 2522 | |
| RE 3512 | |
| RE 5022 | |
| RE 6523 | |
| GB 11003 | |
| GB 13003 | |
| GB 21004 | |
| GB 26004 | |
| GB 31004 | |
| GB 37004 | |
| GB 61005 | |

RAS - GBAS



| | A | B | C |
|--------------------|-----|------|-----|
| RA 112 - 113 - 114 | 81 | 74.5 | 180 |
| RA 212 - 213 - 214 | 81 | 74.5 | 180 |
| RA 242 - 243 - 244 | 81 | 74.5 | 180 |
| RA 312 | 122 | 91 | 238 |
| RA 313 - 314 | 81 | 74.5 | 180 |
| RA 512 | 122 | 91 | 238 |
| RA 513 - 514 | 81 | 74.5 | 180 |
| RA 813 | 122 | 91 | 238 |
| RA 814 | 81 | 74.5 | 180 |
| RA 1023 | 122 | 91 | 238 |
| RA 1024 | 81 | 74.5 | 180 |
| RA 1523 | 122 | 91 | 238 |
| RA 1524 | 81 | 74.5 | 180 |
| RA 2524 | 122 | 91 | 238 |
| RA 3514 | | | |
| RA 5014 | | | |
| GBA 11005 | | | |
| GBA 13005 | | | |
| GBA 18005 | | | |

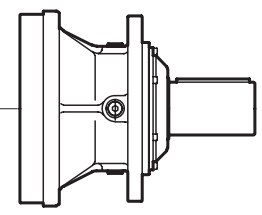
CC-1000



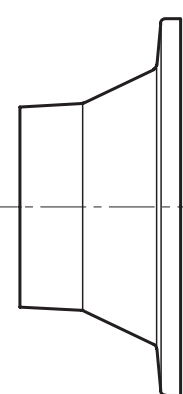
F8



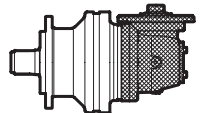
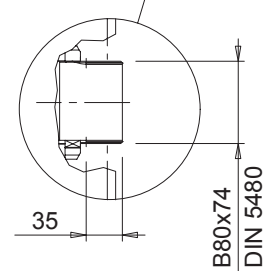
MU



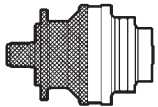
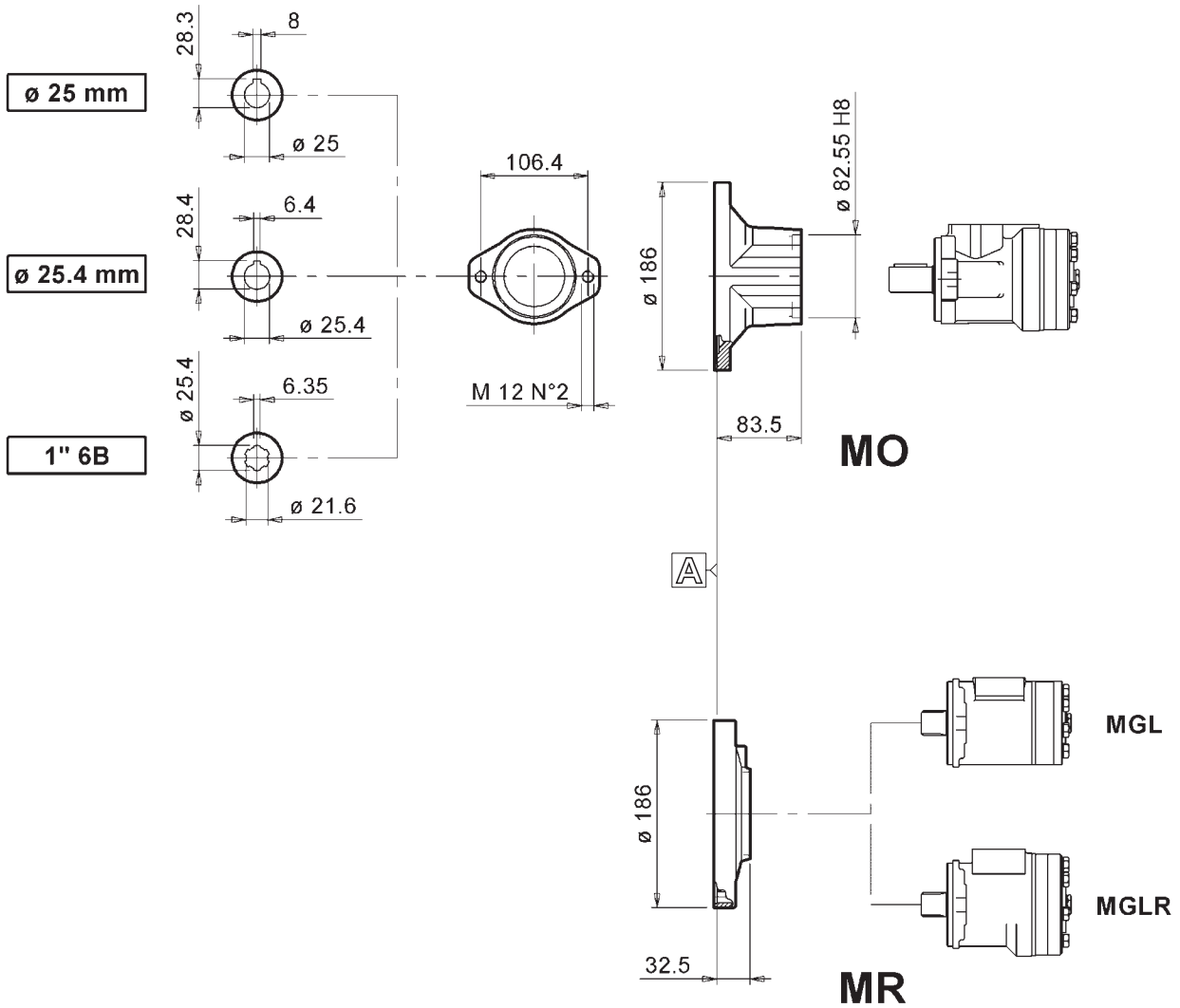
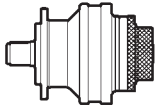
AV1020



ME

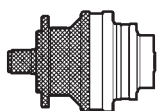
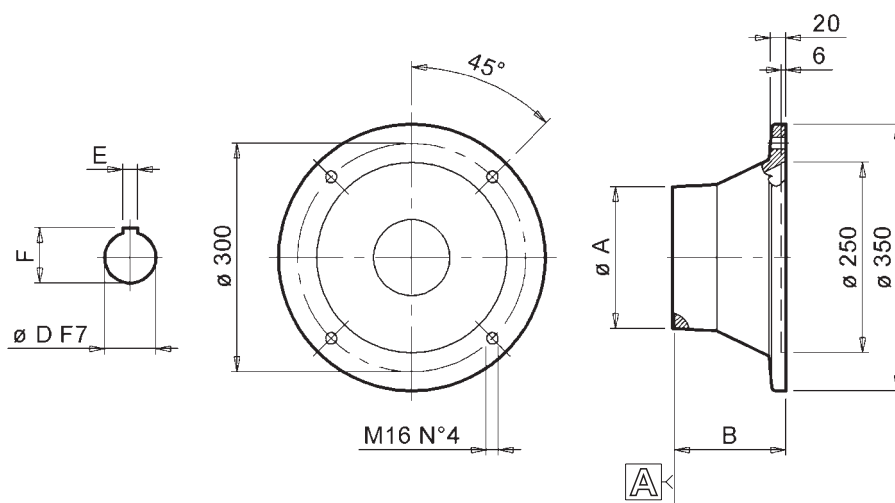
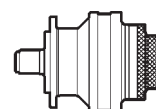


| | A |
|-----------|-----|
| RA 3512 | 452 |
| RA 5022 | 490 |
| RA 6522 | 490 |
| GBA 13003 | 452 |
| GBA 18003 | 490 |
| GBA 21003 | 490 |
| GBA 26003 | 490 |
| GBA 37004 | 452 |
| GBA 40004 | 452 |
| GBA 45004 | 452 |
| GBA 53004 | 490 |
| GBA 61004 | 490 |
| GBA 85004 | 490 |
| GBA110005 | 452 |
| GBA130005 | 452 |



| | TYPE | CODE |
|--------------------------|----------|---------|
| RE 111 - 112 - 113 - 114 | | |
| RE 211 - 212 - 213 - 214 | | |
| RE 241 - 242 - 243 - 244 | | |
| RE 312 - 313 - 314 | | |
| RE 512 - 513 - 514 | | |
| RE 813 - 814 | MO 25 | K0700AA |
| RE 1023 - 1024 | MO 25.4 | K0700AB |
| RE 1523 - 1524 | MO 1" 6B | K0700AC |
| RE 2524 | MR | K0700AV |
| RE 3514 | | |
| RE 5024 | | |
| RE 6025 | | |
| GB 11005 | | |
| GB 13005 | | |
| GB 18005 | | |

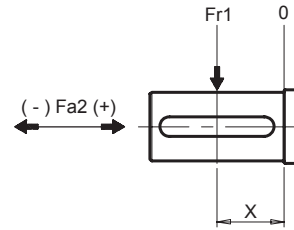
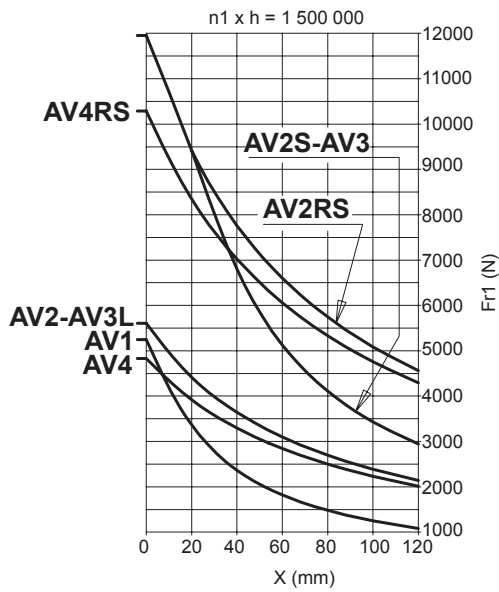
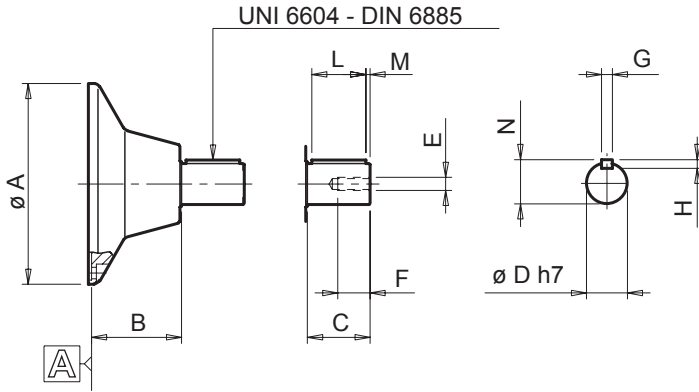
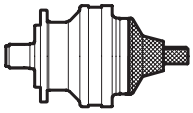
ME



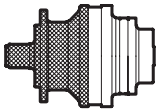
| | TYPE | ø A | B | ø D | E | F | CODE |
|--------------------------|--------|-----|-----|-----|----|------|---------|
| RE 111 - 112 - 113 - 114 | | | | | | | |
| RE 211 - 212 - 213 - 214 | | | | | | | |
| RE 241 - 242 - 243 - 244 | | | | | | | |
| RE 312 - 313 - 314 | | | | | | | |
| RE 512 - 513 - 514 | | | | | | | |
| RE 813 - 814 | | | | | | | |
| RE 1023 - 1024 | ME 160 | 186 | 146 | 42 | 12 | 45.5 | K0700AD |
| RE 1523 - 1524 | ME 180 | 186 | 146 | 48 | 14 | 52 | K0700AE |
| RE 2524 | | | | | | | |
| RE 3514 | | | | | | | |
| RE 5024 | | | | | | | |
| RE 6025 | | | | | | | |
| GB 11005 | | | | | | | |
| GB 13005 | | | | | | | |
| GB 18005 | | | | | | | |

| | TYPE | ø A | B | ø D | E | F | CODE |
|----------|--------|-----|-------|-----|----|------|---------|
| RE 311 | | | | | | | |
| RE 511 | | | | | | | |
| RE 812 | | | | | | | |
| RE 1022 | | | | | | | |
| RE 1522 | | | | | | | |
| RE 2523 | | | | | | | |
| RE 3513 | | | | | | | |
| RE 5023 | | | | | | | |
| RE 6524 | ME 160 | 248 | 154.5 | 42 | 12 | 45.5 | K0700DF |
| GB 11004 | ME 180 | 248 | 154.5 | 48 | 14 | 52 | K0700DG |
| GB 13004 | | | | | | | |
| GB 18004 | | | | | | | |
| GB 21005 | | | | | | | |
| GB 26005 | | | | | | | |
| GB 31005 | | | | | | | |
| GB 37005 | | | | | | | |
| GB 40005 | | | | | | | |
| GB 45005 | | | | | | | |
| GB 53005 | | | | | | | |

AV



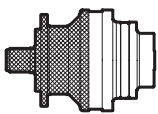
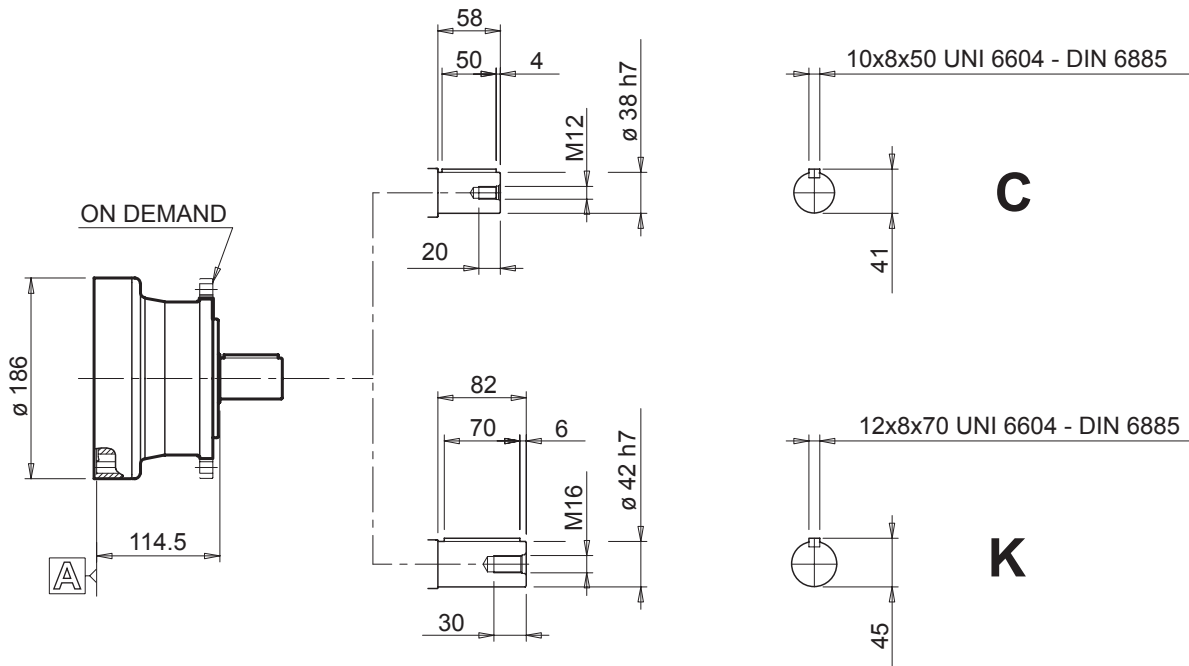
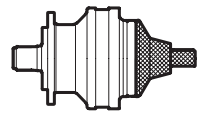
| | n2 x h = 1 500 000 Fa1 max (Fr1 = 0) | |
|------------------|---|---------|
| | Fa1 (+) | Fa1 (-) |
| AV1 | 4 800 | 4 800 |
| AV2 - AV3L - AV4 | 7 800 | 7 800 |
| AV2S - AV3 | 4 900 | 7 800 |
| AV2RS - AV4RS | 4 900 | 4 900 |



| | TYPE | ø A | B | C | ø D | E | F | G | H | L | M | N | CODE |
|--------------------------|-------|-----|-------|----|-----|-----|----|----|---|----|-----|------|---------|
| RE 111 - 112 - 113 - 114 | | | | | | | | | | | | | |
| RE 211 - 212 - 213 - 214 | | | | | | | | | | | | | |
| RE 241 - 242 - 243 - 244 | | | | | | | | | | | | | |
| RE 312 - 313 - 314 | AV1 | 186 | 83.5 | 58 | 38 | M12 | 30 | 50 | 8 | 10 | 4 | 41 | K0700AH |
| RE 512 - 513 - 514 | AV2 | 186 | 96.5 | 82 | 42 | M12 | 30 | 70 | 8 | 12 | 6 | 45 | K0700AI |
| RE 813 - 814 | AV3L | 186 | 96.5 | 82 | 48 | M16 | 40 | 70 | 9 | 14 | 6 | 51.5 | K0700AI |
| RE 1023 - 1024 | AV4 | 186 | 108.5 | 65 | 40 | M12 | 30 | 60 | 8 | 12 | 2.5 | 43 | K0700AX |
| RE 1523 - 1524 | AV4RS | 186 | 108.5 | 65 | 40 | M12 | 30 | 60 | 8 | 12 | 2.5 | 43 | K0700AX |
| RE 2524 - 3514 | | | | | | | | | | | | | |
| RE 5024 - 6524 | | | | | | | | | | | | | |
| GB 11005 - 13005 - 18005 | | | | | | | | | | | | | |

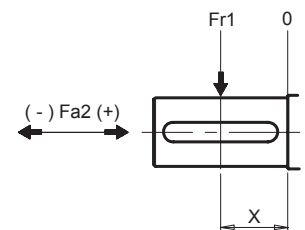
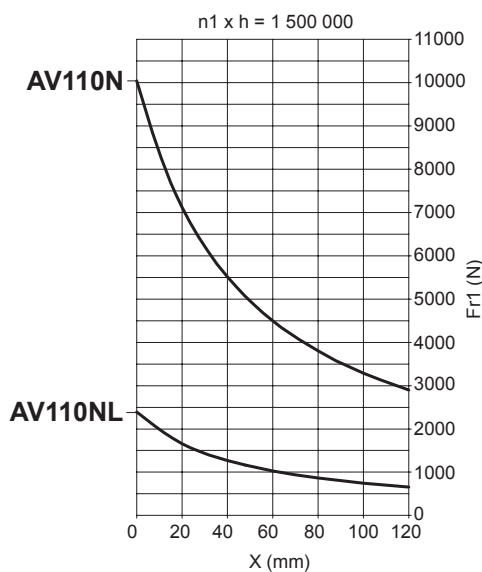
| | TYPE | ø A | B | C | ø D | E | F | G | H | L | M | N | CODE |
|-----------------------|-------|-----|-----|----|-----|-----|----|----|---|----|-----|------|---------|
| RE 311 - 511 | | | | | | | | | | | | | |
| RE 812 - 1020 - 1522 | AV2 | 244 | 106 | 82 | 42 | M12 | 30 | 12 | 8 | 70 | 6 | 41 | K0700DL |
| RE 2523 - 3513 - 5023 | AV2S | 244 | 106 | 82 | 42 | M12 | 30 | 12 | 8 | 70 | 6 | 41 | K0700DL |
| RE 6524 - 11004 | AV2RS | 244 | 106 | 82 | 42 | M12 | 30 | 12 | 8 | 70 | 6 | 41 | K0700DL |
| GB 13004 - 18004 | AV3 | 244 | 106 | 82 | 48 | M16 | 40 | 14 | 9 | 70 | 6 | 51.5 | K0700DM |
| GB 21005 - 26005 | AV4 | 244 | 118 | 65 | 40 | M12 | 30 | 12 | 8 | 60 | 2.5 | 43 | K0700DJ |
| GB 31005 - 37005 | AV4RS | 244 | 118 | 65 | 40 | M12 | 30 | 12 | 8 | 60 | 2.5 | 43 | K0700DJ |
| GB 45005 - 53005 | | | | | | | | | | | | | |

AVF-AV110N-NL



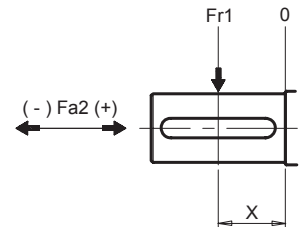
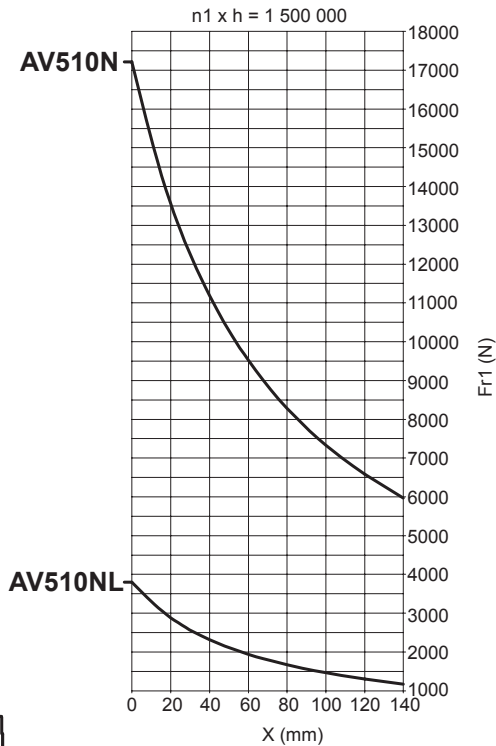
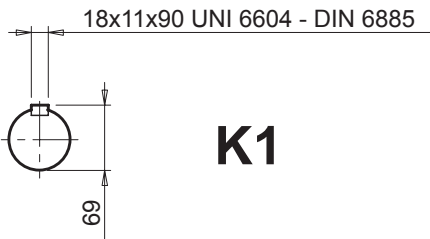
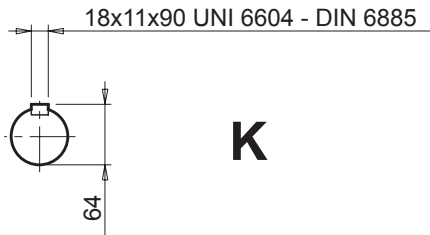
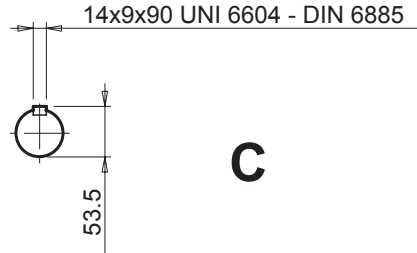
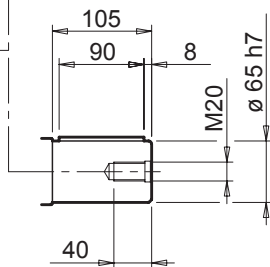
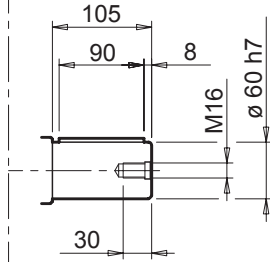
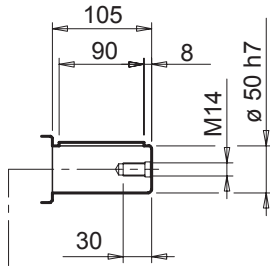
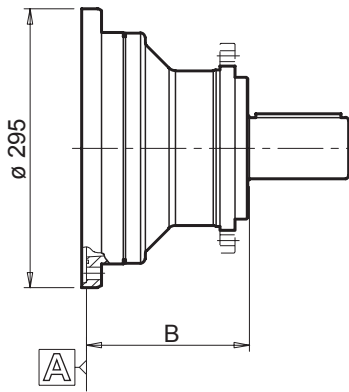
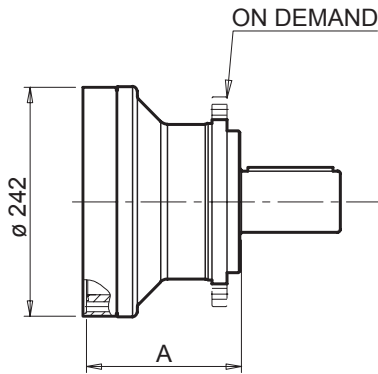
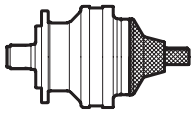
RE 111 - 112 - 113 - 114
 RE 211 - 212 - 213 - 214
 RE 241 - 242 - 243 - 244
 RE 312 - 313 - 314
 RE 512 - 513 - 514
 RE 813 - 814
 RE 1023 - 1024
 RE 1523 - 1524
 RE 2524
 RE 3514
 RE 5024
 RE 6025
 GB 11005
 GB 13005
 GB 18005

| CODE |
|---------|
| K0700AY |

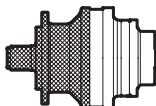


| | $n2 \times h = 1\,500\,000$ Fa1 max (Fr1 = 0) | |
|---------|--|---------|
| | Fa1 (+) | Fa1 (-) |
| AV110N | 4 900 | 7 800 |
| AV110NL | 3 750 | 3 750 |

AVF-AV510N-NL



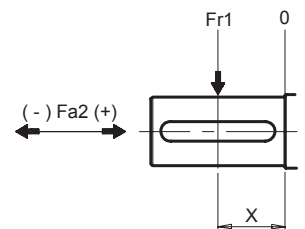
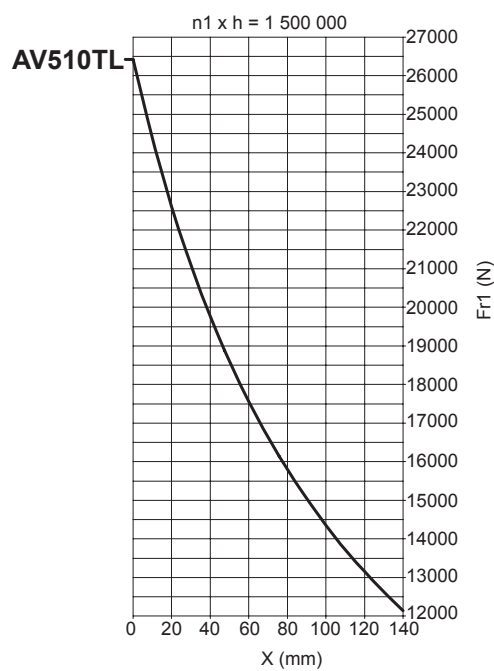
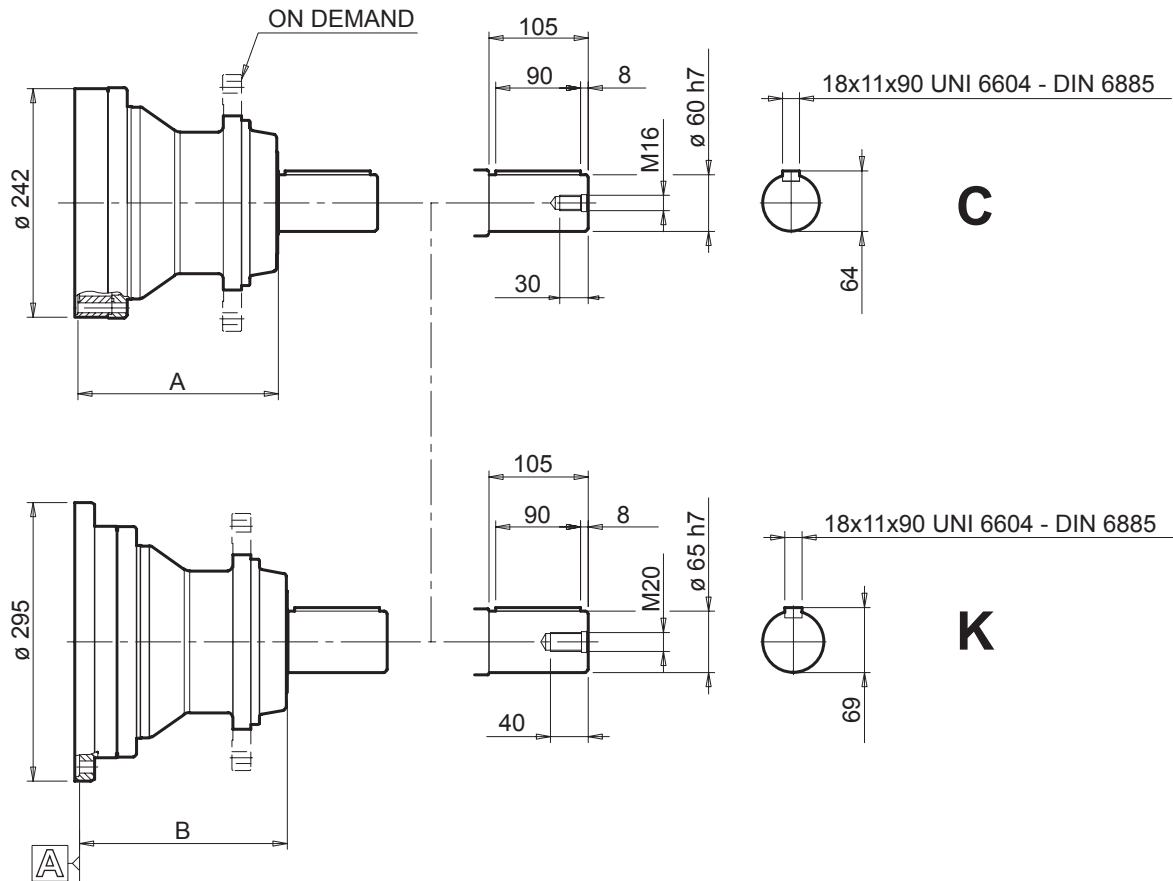
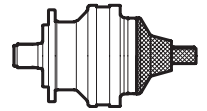
| n2 x h = 1 500 000 Fa1 max (Fr1 = 0) | | |
|---|---------|---------|
| | Fa1 (+) | Fa1 (-) |
| AV510NL | 6 600 | 6 600 |
| AV510N | 15 250 | 15 250 |



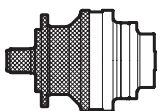
RE 311 - 511 - 812 - 1022 - 1522 - 2523 - 3513 - 5023 - 6524
 GB 11004 - 13004 - 18004 - 21005 - 26005 - 31005 - 37005 - 45005 - 53005
 RE 811 - 1021 - 2522 - 3512 - 6523
 GB 11003 - 13003 - 21004 - 26004 - 31004 - 37004 - 45004 - 61005 - 85005 - 110005 - 130005

| | A | B |
|--|-----|-------|
| | 164 | - |
| | 164 | - |
| | - | 172.5 |
| | - | 172.5 |

AVF-AV510TL



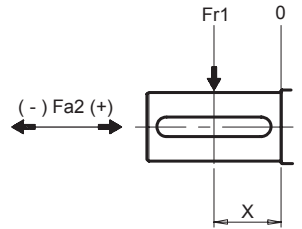
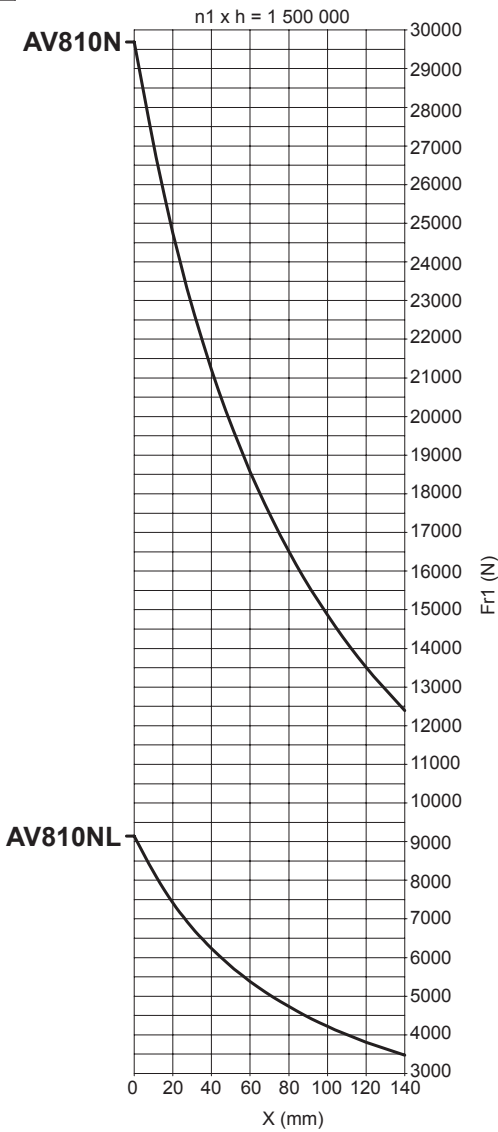
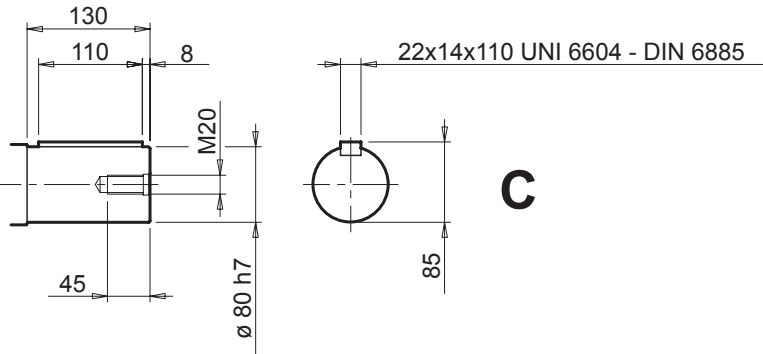
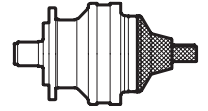
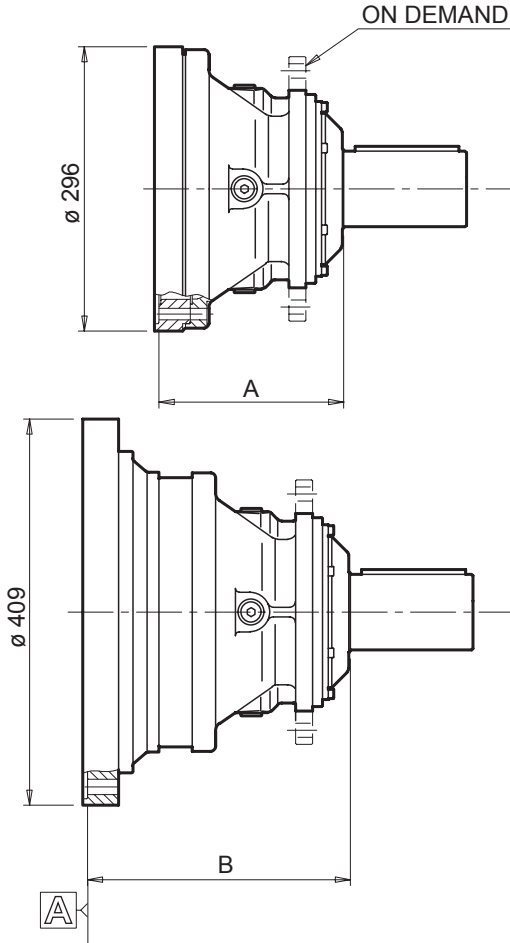
| n2 x h = 1 500 000 | | |
|--------------------|---------|---------|
| Fa1 max (Fr1 = 0) | | |
| | Fa1 (+) | Fa1 (-) |
| AV510TL | 21 600 | 21 600 |



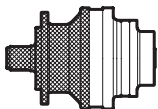
RE 311 - 511 - 812 - 1022 - 1522 - 2523 - 3513 - 5023 - 6524
 GB 11004 - 13004 - 18004 - 21005 - 26005 - 31005 - 37005 - 45005 - 53005
 RE 811 - 1021 - 2522 - 3512 - 6523
 GB 11003 - 13003 - 21004 - 26004 - 31004 - 37004 - 45004 - 61005 - 85005 - 110005 - 130005

| | A | B |
|--|-----|-----|
| | 212 | - |
| | 212 | - |
| | - | 221 |
| | - | 221 |

AVF-AV810N-NL



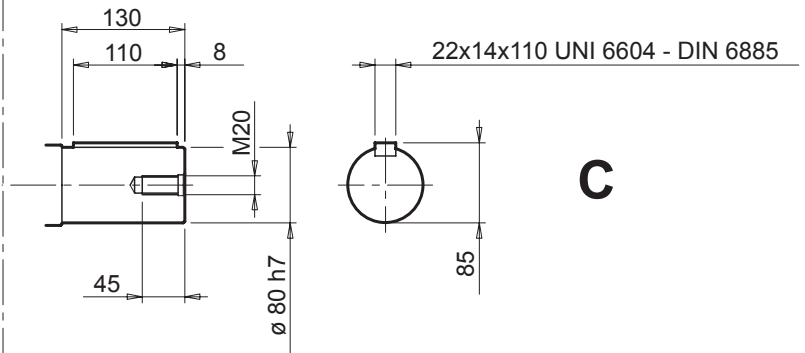
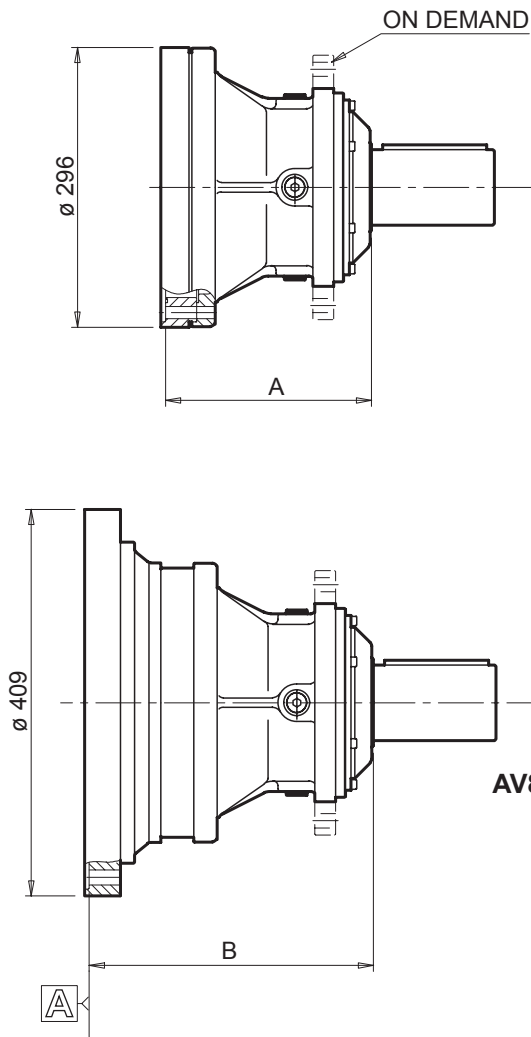
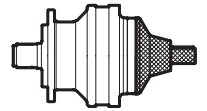
| n2 x h = 1 500 000 Fa1 max (Fr1 = 0) | | |
|---|---------|---------|
| | Fa1 (+) | Fa1 (-) |
| AV810NL | 14 800 | 14 800 |
| AV810N | 25 900 | 25 900 |



RE 811 - 1021 - 2522 - 3522 - 6523
 GB 11003 - 13003 - 21004 - 26004 - 31004 - 37004 - 45004 - 61005 - 85005 - 110005 - 130005
 RE 2521 - 6522
 GB 11002 - 21003 - 26003 - 31003 - 61004 - 85004

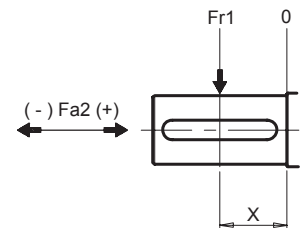
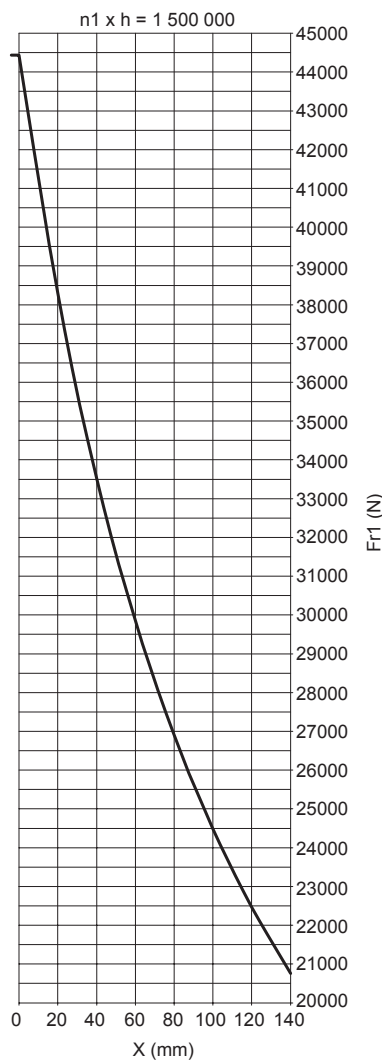
| | A | B |
|--|-------|-----|
| | 195.5 | - |
| | 195.5 | - |
| | - | 278 |
| | - | 278 |

AVF-AV810T-TL

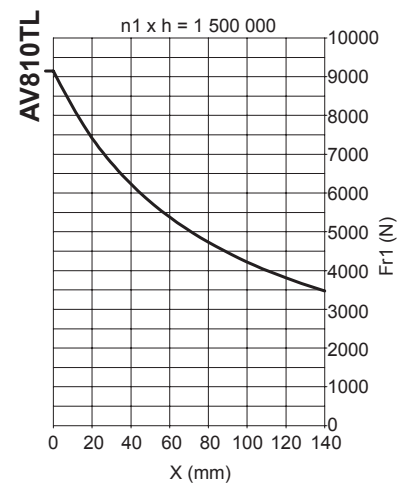


C

AV810T



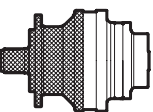
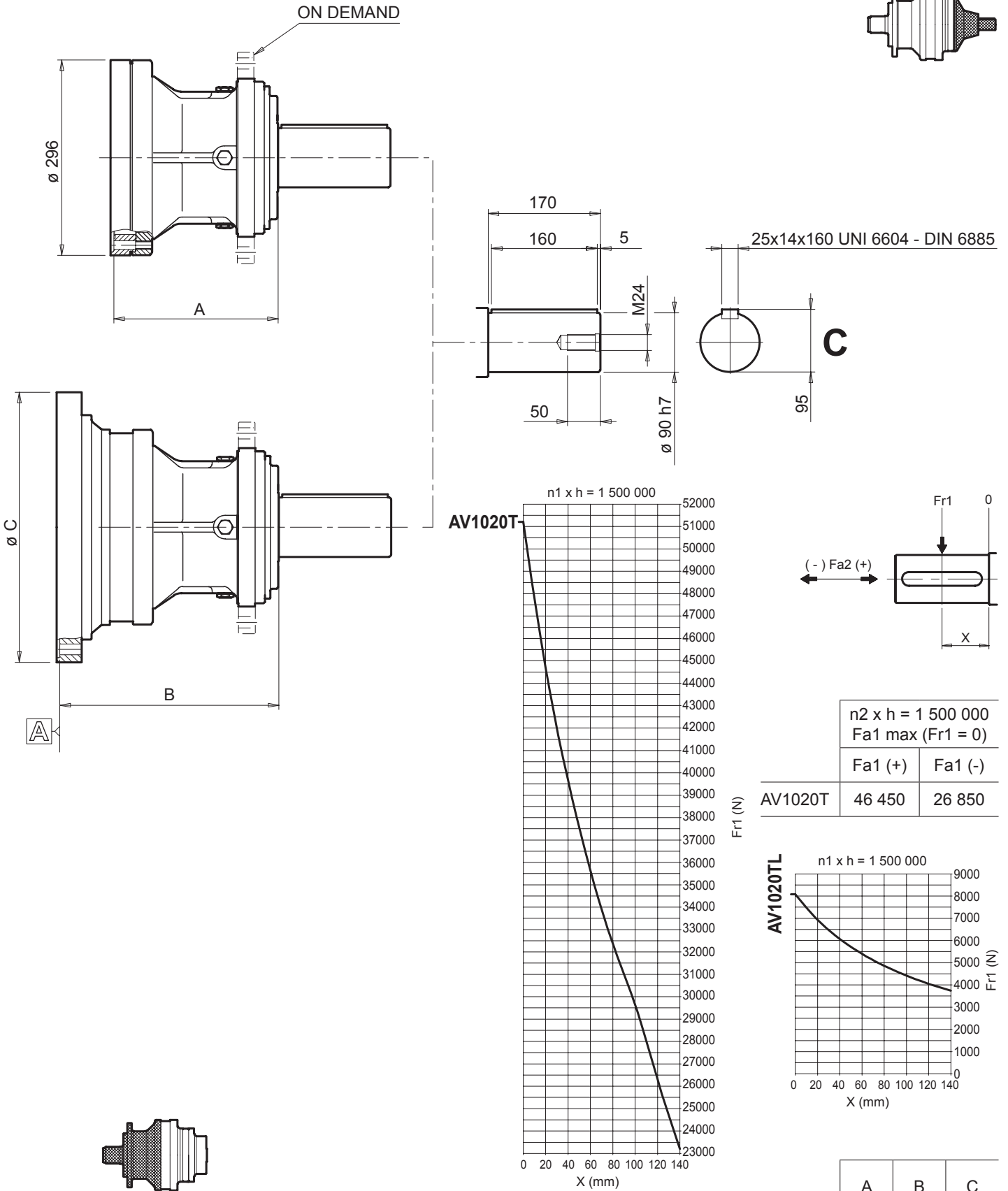
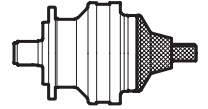
| n2 x h = 1 500 000 Fa1 max (Fr1 = 0) | | |
|---|---------|---------|
| | Fa1 (+) | Fa1 (-) |
| AV810T | 39 200 | 25 900 |



| | A | B |
|--|-----|-----|
| | 218 | - |
| | 218 | - |
| | - | 296 |
| | - | 296 |

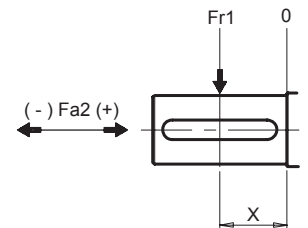
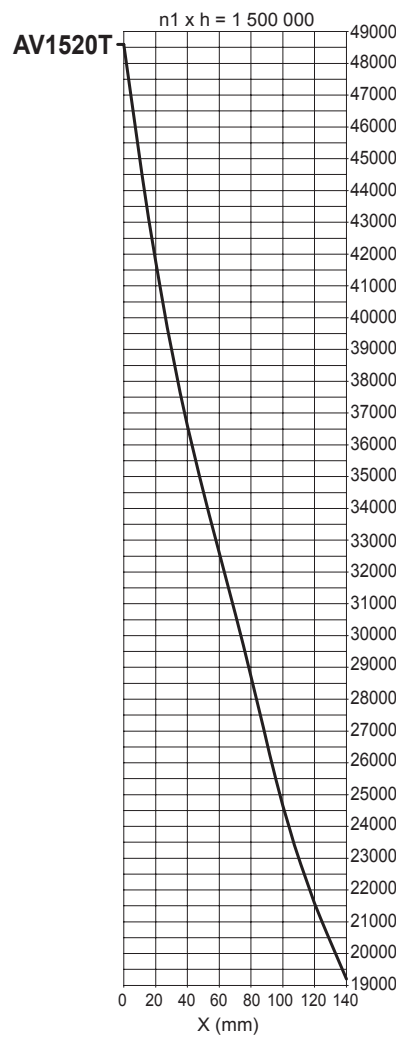
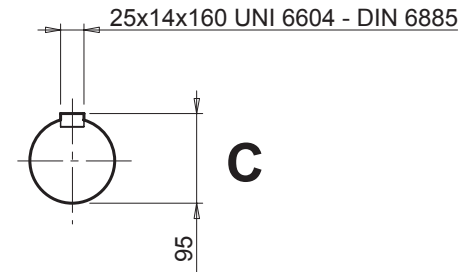
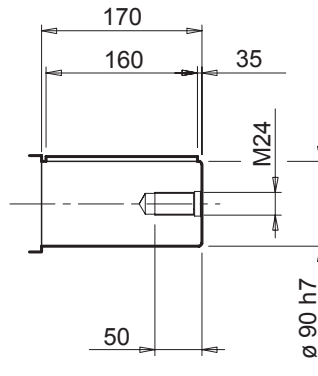
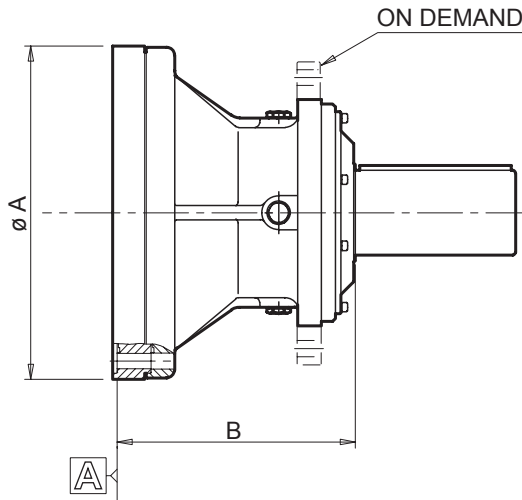
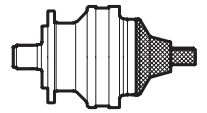
RE 811 - 1021 - 2522 - 3522 - 6523
 GB 11003 - 13003 - 21004 - 26004 - 31004 - 37004 - 45004 - 61005 - 85005 - 110005 - 130005
 RE 2521 - 6522
 GB 11002 - 21003 - 26003 - 31003 - 61004 - 85004

AVF-AV1020T-TL

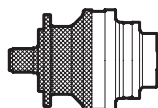


RE 811 - 1021 - 2522 - 3522 - 6523
 GB 11003 - 13003 - 21004 - 26004 - 31004 - 37004 - 45004 - 61005 - 85005 - 110005 - 130005
 RE 2521 - 6522
 GB 11002 - 21003 - 26003 - 31003 - 61004 - 85004
 RE 3521
 GB 13002 - 37003 - 40003 - 45003 - 110004 - 130004

AVF-AV1520T



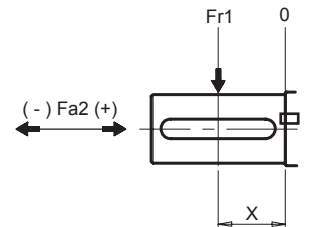
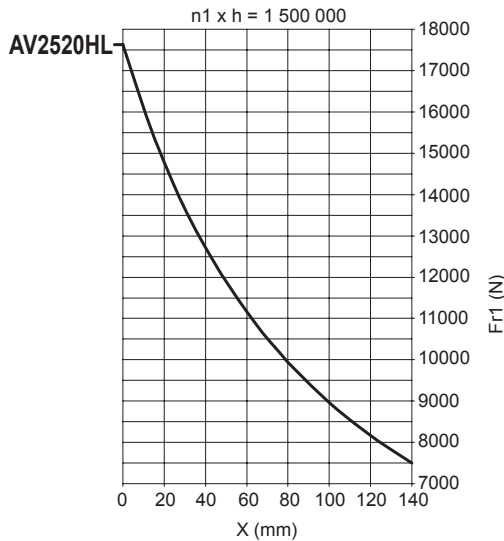
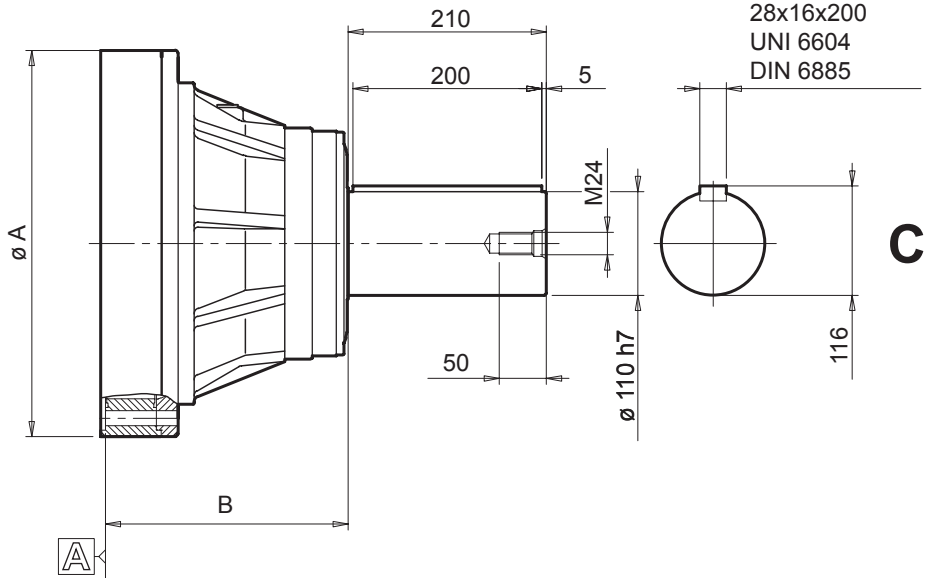
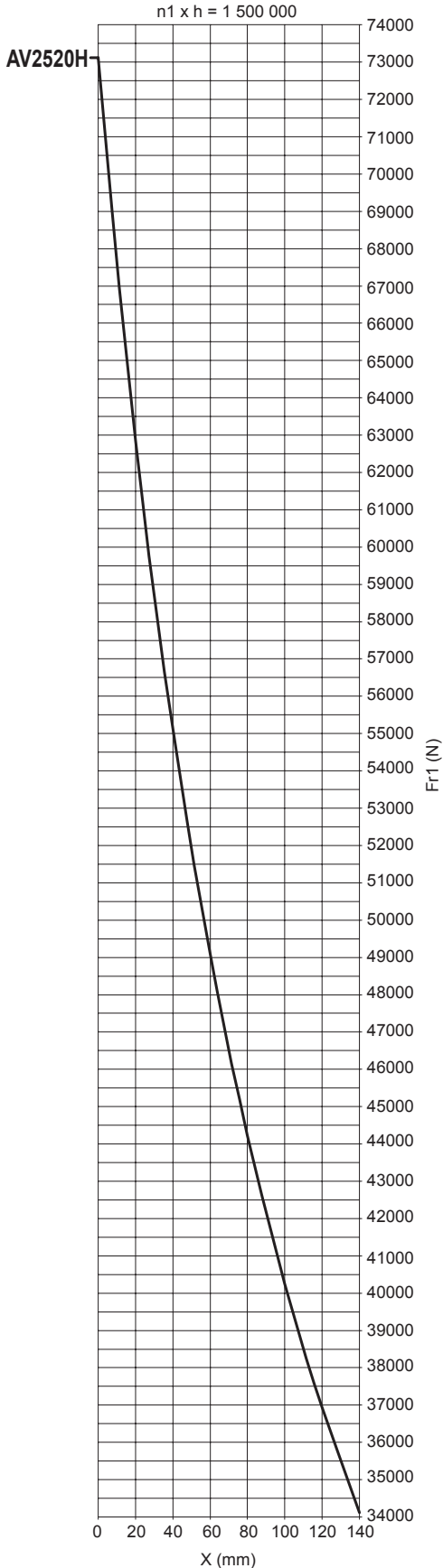
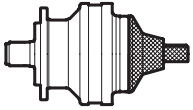
| | | $n2 \times h = 1\,500\,000$ Fa1 max (Fr1 = 0) | |
|---------|--|--|---------|
| | | Fa1 (+) | Fa1 (-) |
| AV1520T | | 26 000 | 8 500 |



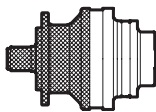
RE 1521 - 5022 - 6522
 GB 18003 - 53004
 RE 5021
 GB 18002 - 53003

| A | B |
|-----|-----|
| 353 | 252 |
| 353 | 252 |
| 490 | 321 |
| 490 | 321 |

AV2520H-HL

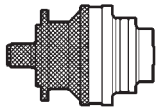
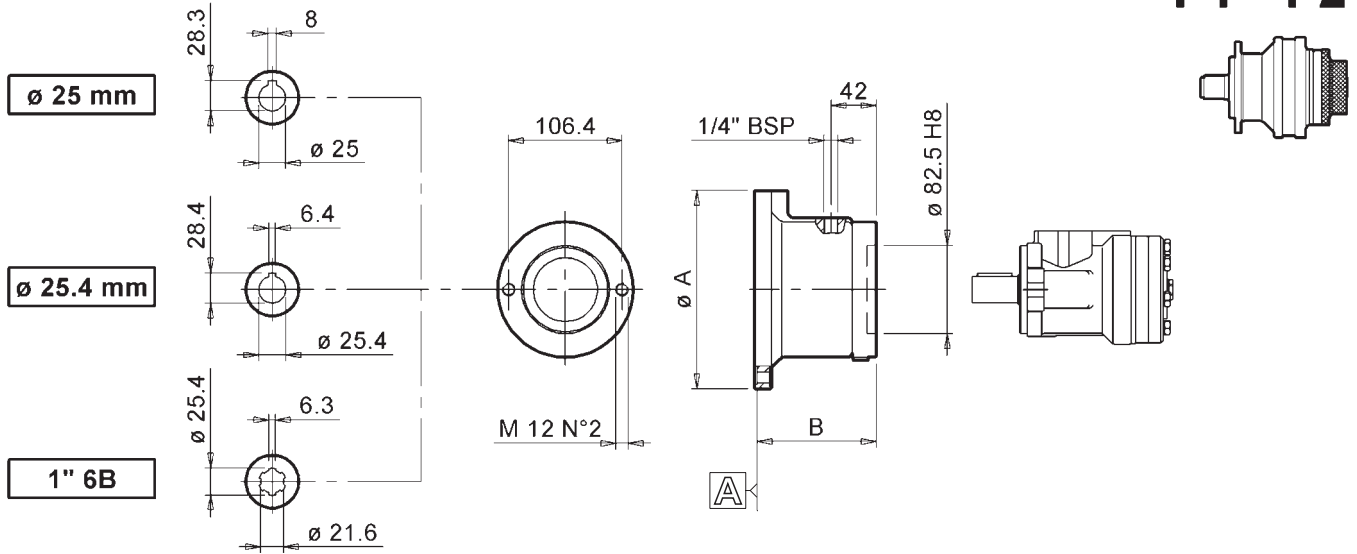


| | n2 x h = 1 500 000 Fa1 max (Fr1 = 0) | |
|----------|---|---------|
| | Fa1 (+) | Fa1 (-) |
| AV2520H | 66 000 | 50 000 |
| AV2520HL | 29 700 | 29 700 |



| | A | B |
|--|-----|-----|
| RE 2521 - 6522 | 409 | 257 |
| GB 11002 - 21003 - 26003 - 31003 - 61004 - 85004 - | 409 | 257 |
| RE 3521 | 452 | 320 |
| GB 13002 - 37003 - 110004 - 130004 | 452 | 320 |
| RE 5021 | 490 | 293 |
| GB 18002 - 53003 | 490 | 293 |
| RE 6521 | 490 | 385 |
| GB 21002 - 26002 - 61003 - 85003 | 490 | 385 |
| GB 11001 - 13001 - 31002 - 37002 - 40002 - 45002 - 110003 - 130003 | 368 | 610 |

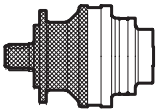
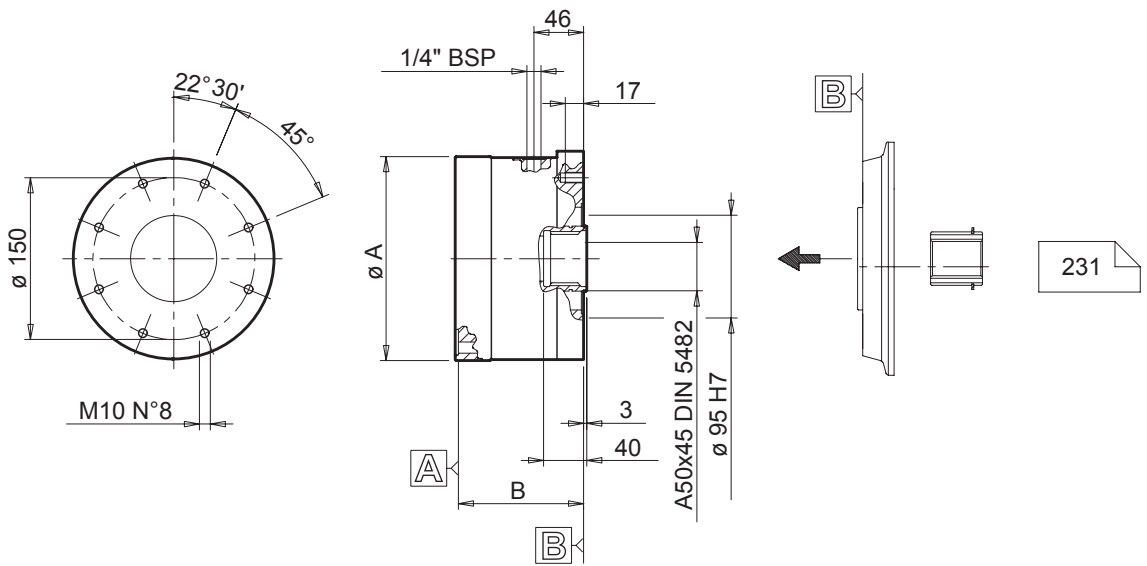
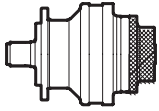
F1 - F2



| | ø A | B | | | | | | | | | | |
|--|-----|-------|-------------------|------|------|------|------|------|------|------|-----|-----|
| | | | F 01 | F 10 | F 11 | F 12 | F 13 | F 14 | F 05 | F 16 | | |
| RE 111 - 112 - 113 - 114 RE 211 - 212 - 213 - 214 RE 241 - 242 - 243 - 244 RE 312 - 313 - 314 RE 512 - 513 - 514 RE 813 - 814 RE 1023 - 1024 RE 1523 - 1524 RE 2524 RE 3514 RE 5024 RE 6025 GB 11005 GB 13005 GB 18005 | 186 | 109.5 | Tb (Nm) | 132 | 133 | 182 | 235 | 332 | 468 | 530 | 608 | ±5% |
| pb (bar) | | | 23 | 29 | 34 | 26 | 30 | 36 | 39 | 42 | | |
| p max (bar) | | | 300 | | | | | | | | | |
| n1 max (RPM) | | | 700 | | | | | | | | | |

| | ø A | B | | | | | | | | | | |
|--|-----|-------|-------------------|------|------|------|------|------|------|------|-----|-----|
| | | | F 02 | F 20 | F 21 | F 22 | F 23 | F 24 | F 25 | F 26 | | |
| RE 311 RE 511 RE 812 RE 1022 RE 1522 RE 2523 RE 3513 RE 5023 RE 6524 GB 11004 GB 13004 GB 18004 GB 21005 GB 26005 GB 31005 GB 37005 GB 40005 GB 45005 GB 53005 | 244 | 118.5 | Tb (Nm) | 132 | 133 | 182 | 235 | 332 | 468 | 530 | 608 | ±5% |
| pb (bar) | | | 23 | 29 | 34 | 26 | 30 | 36 | 39 | 42 | | |
| p max (bar) | | | 300 | | | | | | | | | |
| n1 max (RPM) | | | 700 | | | | | | | | | |

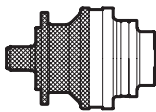
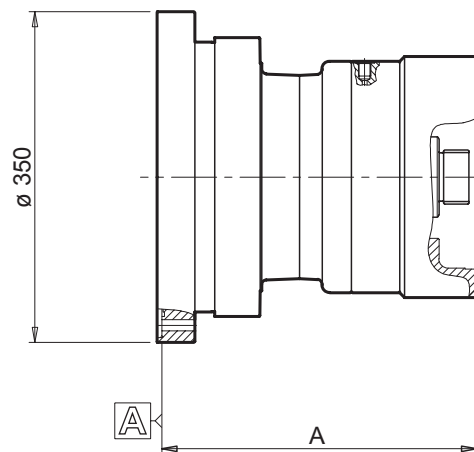
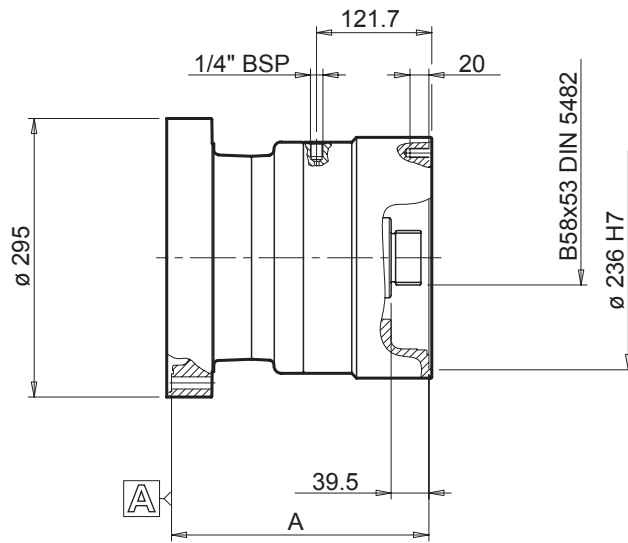
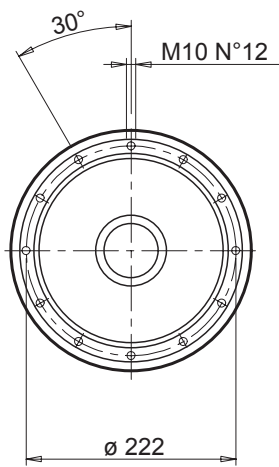
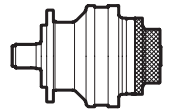
F5-F6



| | ø A | B | F 501 | F 502 | F 503 | F504 | F505 | F506 | F 508 | |
|---|-----|-----|-------|-------|-------|------|------|------|-------|-----|
| RE 111 - 112 - 113- 114 RE 211 - 212 - 213 - 214 RE 241 - 242 - 243 - 244 RE 312 - 313 - 314 RE 512 - 513 - 514 RE 813 - 814 RE 1023 - 1024 RE 1523 - 1524 RE 2524 RE 3514 RE 5024 RE 6025 GB 11005 GB 13005 GB 18005 | 189 | 115 | | | | | | | | |
| Tb (Nm) | | | 110 | 219 | 300 | 409 | 545 | 637 | 818 | ±5% |
| pb (bar) | | | 10 | 19 | 27 | 36 | 29 | 34 | 43 | |
| p max (bar) | | | 300 | | | | | | | |
| n1 max (RPM) | | | 2500 | | | | | | | |

| | ø A | B | F 601 | F 602 | F 603 | F604 | F 605 | F 606 | F608 | F610 | F612 | |
|--|-----|-----|-------|-------|-------|------|-------|-------|------|------|------|-----|
| RE 311 RE 511 RE 812 RE 1022 RE 1522 RE 2523 RE 3513 RE 5023 RE 6524 GB 11004 GB 13004 GB 18004 GB 21005 GB 26005 GB 31005 GB 37005 GB 45005 GB 53005 | 244 | 125 | | | | | | | | | | |
| Tb (Nm) | | | 110 | 219 | 327 | 409 | 545 | 636 | 818 | 1018 | 1145 | ±5% |
| pb (bar) | | | 10 | 19 | 28 | 36 | 29 | 34 | 43 | 38 | 43 | |
| p max (bar) | | | 300 | | | | | | | | | |
| n1 max (RPM) | | | 2500 | | | | | | | | | |

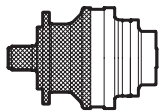
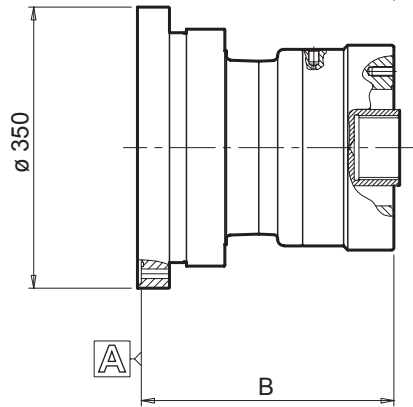
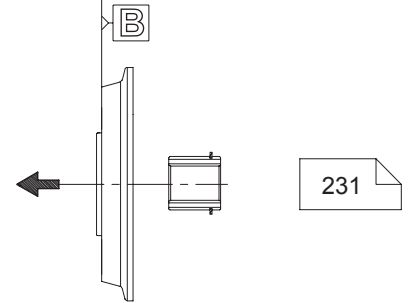
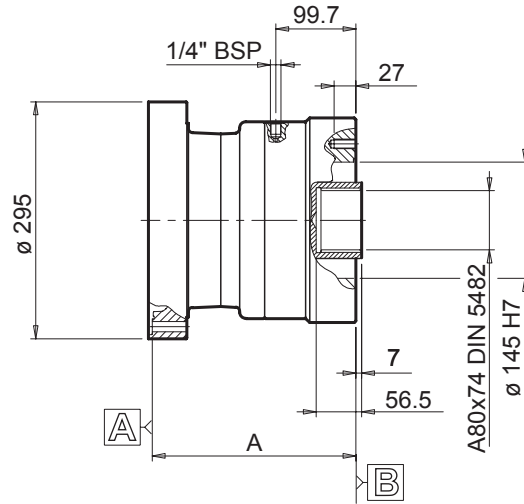
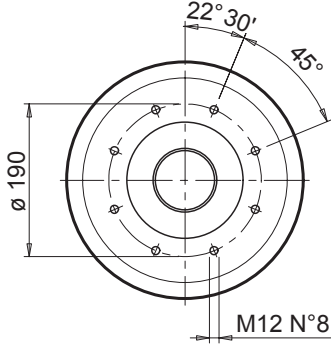
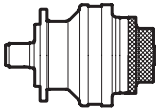
F8



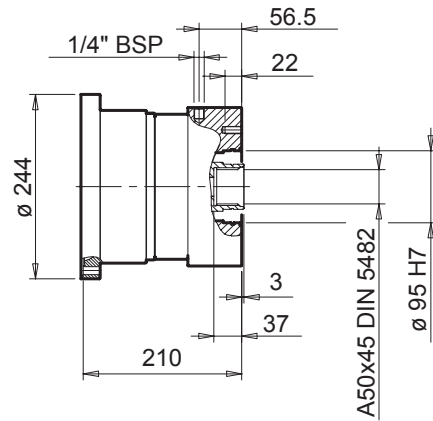
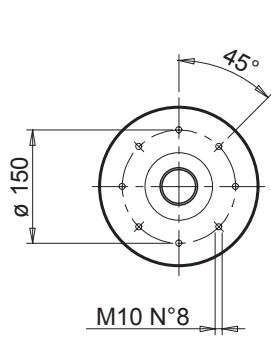
| | A | B |
|-----------|-------|-------|
| RE 811 | 272.5 | - |
| RE 1021 | 272.5 | - |
| RE 1521 | - | 333.5 |
| RE 2522 | 272.5 | - |
| RE 3512 | 272.5 | - |
| RE 5022 | - | 333.5 |
| RE 6523 | 272.5 | - |
| GB 11003 | 272.5 | - |
| GB 13003 | 272.5 | - |
| GB 18003 | - | 333.5 |
| GB 21004 | 272.5 | - |
| GB 26004 | 272.5 | - |
| GB 31004 | 272.5 | - |
| GB 37004 | 272.5 | - |
| GB 45004 | 272.5 | - |
| GB 53004 | - | 333.5 |
| GB 61005 | 272.5 | - |
| GB 85005 | 272.5 | - |
| GB 110005 | 272.5 | - |
| GB 130005 | 272.5 | - |

| | F 813 | F 815 | F 818 | F 820 | F 823 | F 827 | F 830 | |
|---------------------|-------|-------|-------|-------|-------|-------|-------|-----|
| Tb (Nm) | 1271 | 1525 | 1780 | 2034 | 2288 | 2670 | 3051 | ±5% |
| pb (bar) | 54 | 65 | 76 | 58 | 65 | 76 | 87 | |
| p max (bar) | 250 | | | | | | | |
| n1 max (RPM) | 2500 | | | | | | | |

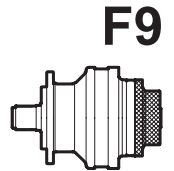
F8-MU



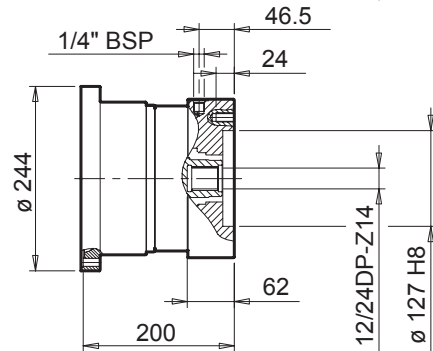
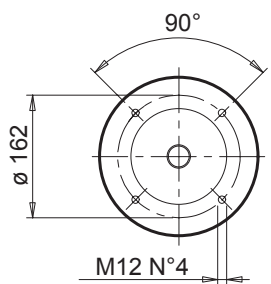
| | A | B | | F 813 | F 815 | F 818 | F 820 | F 823 | F 827 | F 830 | |
|-----------|-------|-------|---------------|-------|-------|-------|-------|-------|-------|-------|--|
| RE 811 | 253.5 | - | | | | | | | | | |
| RE 1021 | 253.5 | - | | | | | | | | | |
| RE 1521 | - | 314.5 | | | | | | | | | |
| RE 2 | 253.5 | - | Tb | 1271 | 1525 | 1780 | 2034 | 2288 | 2670 | 3051 | |
| RE 3512 | 253.5 | - | (Nm) | | | | | | | | |
| RE 5022 | - | 314.5 | pb | 54 | 65 | 76 | 58 | 65 | 76 | 87 | |
| RE 6523 | 253.5 | - | (bar) | | | | | | | | |
| GB 11003 | 253.5 | - | p max | 300 | | | | | | ±5% | |
| GB 13003 | 253.5 | - | (bar) | | | | | | | | |
| GB 18003 | - | 314.5 | n1 max | 2500 | | | | | | | |
| GB 21004 | 253.5 | - | (RPM) | | | | | | | | |
| GB 26004 | 253.5 | - | | | | | | | | | |
| GB 31004 | 253.5 | - | | | | | | | | | |
| GB 37004 | 253.5 | - | | | | | | | | | |
| GB 45004 | 253.5 | - | | | | | | | | | |
| GB 53004 | - | 314.5 | | | | | | | | | |
| GB 61005 | 253.5 | - | | | | | | | | | |
| GB 85005 | 253.5 | - | | | | | | | | | |
| GB 110005 | 253.5 | - | | | | | | | | | |
| GB 130005 | 253.5 | - | | | | | | | | | |



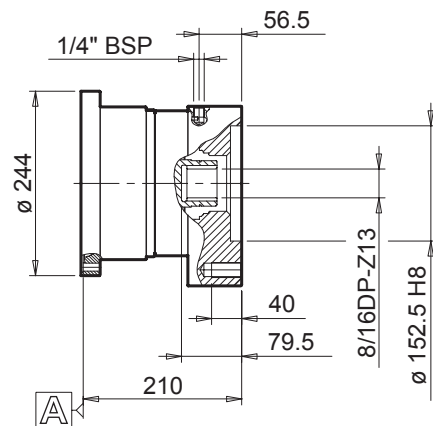
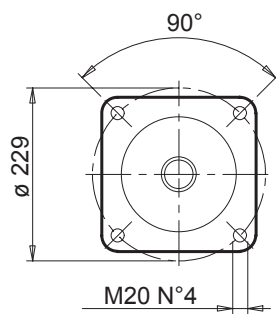
ST



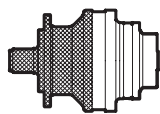
F9



SAE "C"



SAE "D"

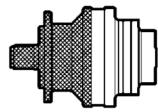
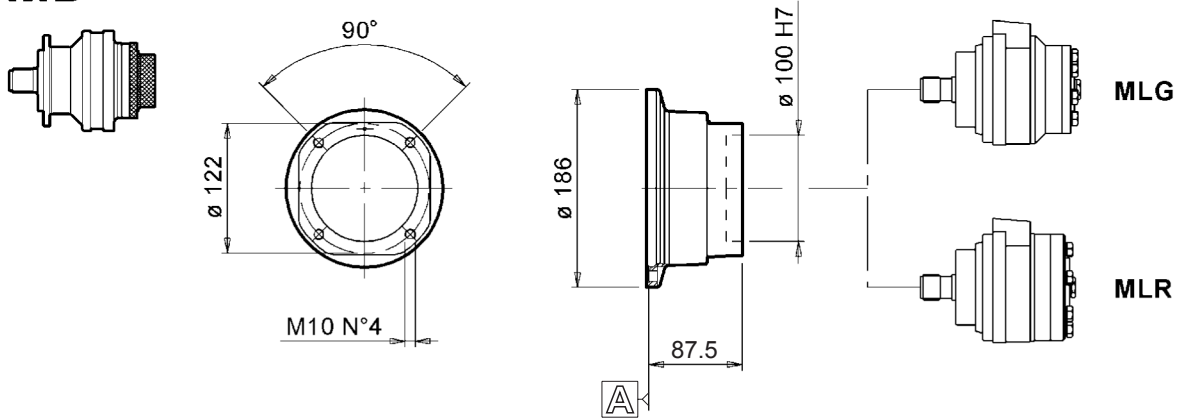


- RE 311
- RE 511
- RE 812
- RE 1022
- RE 1522
- RE 2523
- RE 3513
- RE 5023
- RE 6524
- GB 11004
- GB 13004
- GB 18004
- GB 21005
- GB 26005
- GB 31005
- GB 37005
- GB 45005
- GB 53005

| | F 902 | F 903 | F 904 | F 905 | F 906 | F 908 | F 910 | F 912 | F 915 | |
|------------------------|-------|-------|-------|-------|-------|-------|-------|-------|-------|-----|
| Tb (Nm) | 244 | 317 | 439 | 488 | 683 | 854 | 976 | 1220 | 1465 | ±5% |
| pb (bar) | 16 | 21 | 20 | 16 | 23 | 23 | 26 | 32 | 39 | |
| p max (bar) | 300 | | | | | | | | | |
| n1 max (RPM) | 2500 | | | | | | | | | |

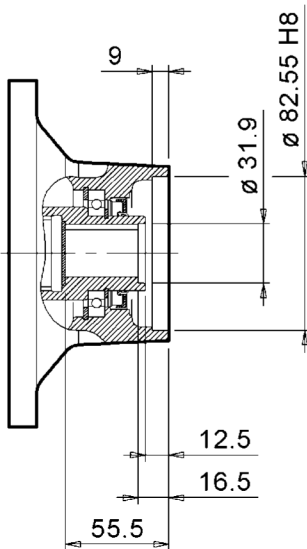
Upon request, brakes up to size F912 can be equipped with freewheeling clutch.
Los frenos hasta el tamaño F912 pueden dotarse de rueda libre (bajo solicitud)

MD

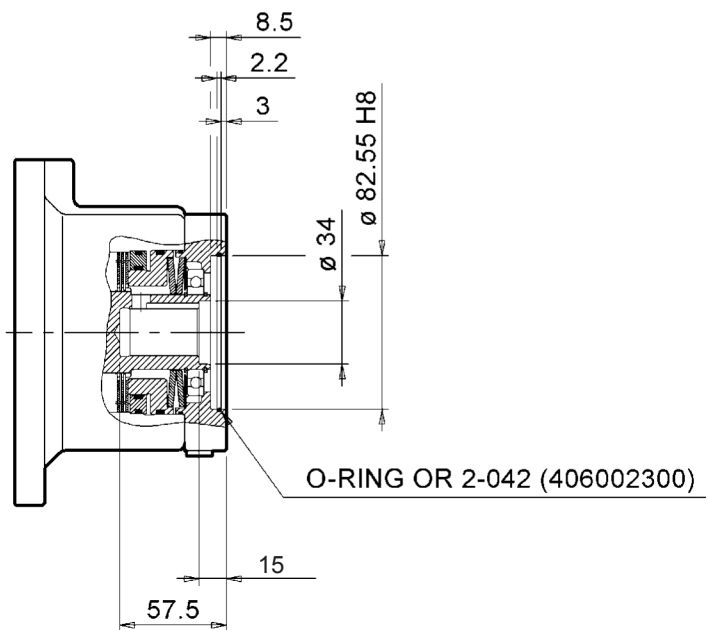


- RE 111 - 112 - 113 - 114
- RE 211 - 212 - 213 - 214
- RE 241 - 242 - 243 - 244
- RE 312 - 313 - 314
- RE 512 - 513 - 514
- RE 813 - 814
- RE 1023 - 1024
- RE 1523 - 1524
- RE 2524
- RE 3514
- RE 5024
- RE 6025
- GB 11005
- GB 13005
- GB 18005

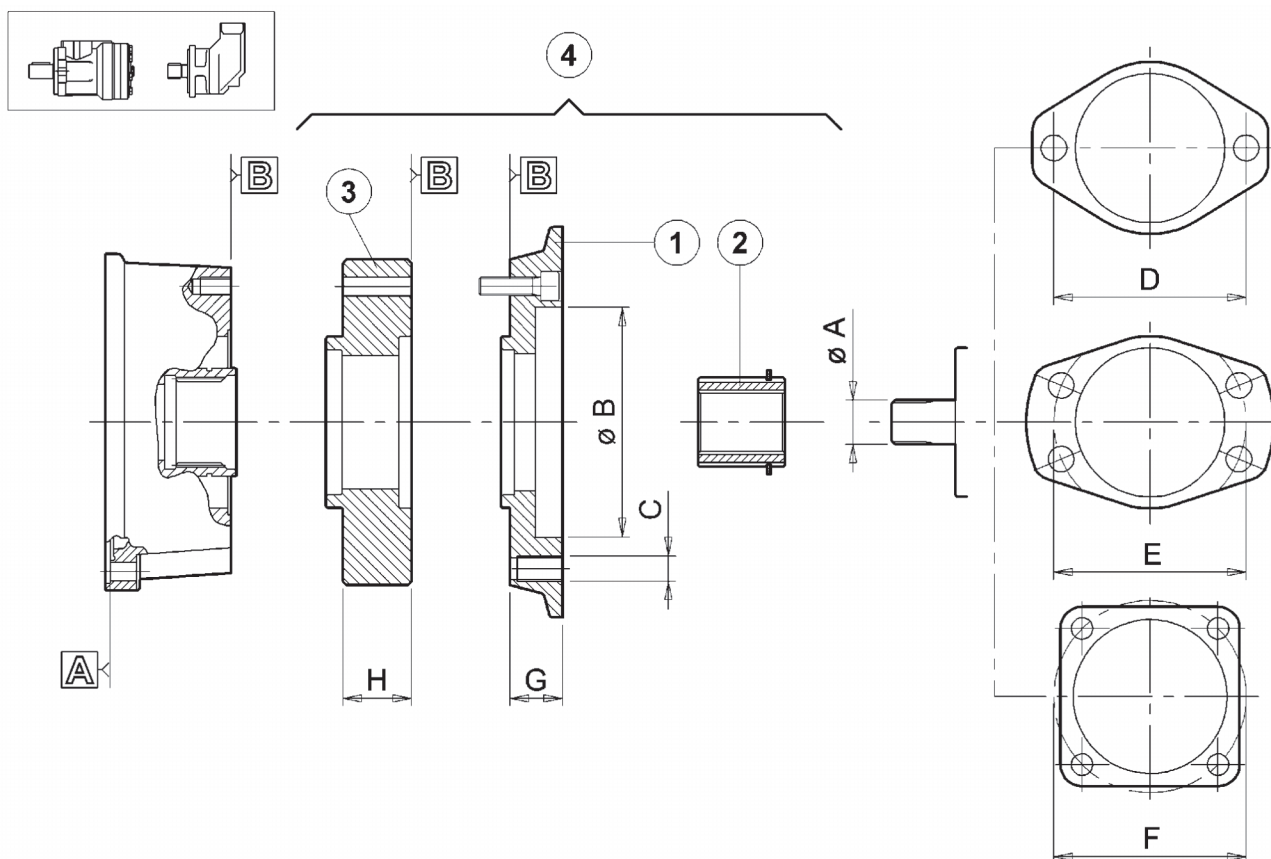
| | 20 | 30 | 40 | 45 | |
|-------------------------------|-----|-----|-----|-----|-----|
| T_b (Nm) | 220 | 308 | 396 | 459 | ±5% |
| p_b (bar) | 24 | 24 | 24 | 26 | |
| p max (bar) | 150 | | | | |
| n1 max (RPM) | 700 | | | | |



MO



F1 - F2



DINAMIC OIL

| | A | B | C | D | E | F | G | H | 1 | 2 | 3 | 4 |
|-------------|----------|-------|-----|-------|---|---|----|---|----------|----------|---|----|
| MBR | ∅ 16 | 63 | M8 | 80 | - | - | 14 | - | 40000698 | 40000694 | - | EE |
| MGL 50-400 | ∅ 25 | 82.55 | M12 | 106.4 | - | - | 26 | - | 20300047 | 40000649 | - | ED |
| MGL 50-400 | ∅ 25.4 | 82.55 | M12 | 106.4 | - | - | 26 | - | 20300047 | 40000645 | - | EA |
| MGL 50-400 | 1" 6B | 82.55 | M12 | 106.4 | - | - | 26 | - | 20300047 | 40000648 | - | EC |
| MGL 50-400 | 25/22-14 | 82.55 | M12 | 106.4 | - | - | 26 | - | 20300047 | 40000647 | - | EB |
| MGLR 50-375 | ∅ 25 | 82.55 | M12 | 106.4 | - | - | 26 | - | 20300047 | 40000649 | - | ED |
| MGLR 50-375 | ∅ 25.4 | 82.55 | M12 | 106.4 | - | - | 26 | - | 20300047 | 40000645 | - | EA |
| MGLR 50-375 | 1" 6B | 82.55 | M12 | 106.4 | - | - | 26 | - | 20300047 | 40000648 | - | EC |
| MGLR 50-375 | 25/22-14 | 82.55 | M12 | 106.4 | - | - | 26 | - | 20300047 | 40000647 | - | EB |
| MGT 50-400 | ∅ 25 | 82.55 | M12 | 106.4 | - | - | 26 | - | 20300047 | 40000649 | - | ED |
| MGT 50-400 | ∅ 25.4 | 82.55 | M12 | 106.4 | - | - | 26 | - | 20300047 | 40000645 | - | EA |
| MGT 50-400 | 1" 6B | 82.55 | M12 | 106.4 | - | - | 26 | - | 20300047 | 40000648 | - | EC |

AXIAL PUMP

| | A | B | C | D | E | F | G | H | 1 | 2 | 3 | 4 |
|----------|----------|-------|-----|-------|---|---|----|---|----------|----------|---|----|
| M1 15-21 | ∅ 19 | 82.55 | M12 | 106.4 | - | - | 26 | - | 20300047 | 40000659 | - | AQ |
| M2 24-50 | 16/32-13 | 101.6 | M14 | 146 | - | - | 20 | - | 40000635 | 40000657 | - | AZ |
| M2 24-50 | 16/32-15 | 101.6 | M14 | 146 | - | - | 20 | - | 40000635 | 40000671 | - | BB |
| M3 40-65 | 16/32-13 | 101.6 | M14 | 146 | - | - | 20 | - | 40000635 | 40000657 | - | AZ |
| M3 40-65 | 16/32-15 | 101.6 | M14 | 146 | - | - | 20 | - | 40000635 | 40000671 | - | BB |

DANFOSS

| | A | B | C | D | E | F | G | H | 1 | 2 | 3 | 4 |
|------------|--------|-------|-----|-------|---|---|----|---|----------|----------|---|----|
| OMM | ∅ 16 | 63 | M8 | 80 | - | - | 14 | - | 40000698 | 40000694 | - | CE |
| OMP 25-400 | ∅ 25 | 82.55 | M12 | 106.4 | - | - | 26 | - | 20300047 | 40000649 | - | AN |
| OMP 25-400 | ∅ 25.4 | 82.55 | M12 | 106.4 | - | - | 26 | - | 20300047 | 40000645 | - | AI |
| OMP 25-400 | 1" B6 | 82.55 | M12 | 106.4 | - | - | 26 | - | 20300047 | 40000648 | - | AM |
| OMP 25-400 | ∅ 32 | 82.55 | M12 | 106.4 | - | - | 38 | - | 02511001 | 40000665 | - | AD |

DANFOSS

| | A | B | C | D | E | F | G | H | 1 | 2 | 3 | 4 |
|--------------|----------|-------|-----|-------|---|-----|----|----|----------|----------|----------|----|
| OMR 50-375 | ø 25 | 82.55 | M12 | 106.4 | - | - | 26 | - | 20300047 | 40000649 | - | AN |
| OMR 50-375 | ø 25.4 | 82.55 | M12 | 106.4 | - | - | 26 | - | 20300047 | 40000645 | - | AI |
| OMR 50-375 | 1" B6 | 82.55 | M12 | 106.4 | - | - | 26 | - | 20300047 | 40000648 | - | AM |
| OMR 50-375 | ø 32 | 82.55 | M12 | 106.4 | - | - | 38 | - | 02511001 | 40000665 | - | AD |
| OMH 200-500 | ø 32 | 82.55 | M12 | 106.4 | - | - | 38 | - | 02511001 | 40000665 | - | AD |
| OMH 200-500 | 12/24-14 | 82.55 | M12 | 106.4 | - | - | 38 | - | 02511001 | 40000672 | - | AE |
| OMS 80-400 | ø 31.75 | 82.55 | M12 | 106.4 | - | - | 38 | - | 02511001 | 40000664 | - | UL |
| OMS 80-400 | ø 32 | 82.55 | M12 | 106.4 | - | - | 38 | - | 02511001 | 40000665 | - | AD |
| OMS 80-400 | 12/24-14 | 82.55 | M12 | 106.4 | - | - | 38 | - | 02511001 | 40000672 | - | AE |
| OMSS 80-400 | 12/24-12 | 100 | M10 | - | - | 125 | 21 | - | 02511017 | 02241030 | - | TR |
| OMT 160-500 | 12/24-17 | 125 | M12 | - | - | 160 | 86 | - | 40001833 | 40000674 | - | CI |
| OMT 160-500 | ø 40 | 125 | M12 | - | - | 160 | 78 | - | 02511041 | 02241051 | - | TW |
| OMTS 160-500 | 12/24-16 | 125 | M12 | - | - | 160 | 42 | - | 02511085 | 02241086 | - | TH |
| OMVS 315-800 | 10/20-16 | 125 | M12 | - | - | 160 | 42 | - | 02511085 | 02241086 | - | US |
| MTM | 12/24-17 | 127 | M14 | - | - | 162 | 29 | 38 | 40000653 | 40000674 | 02731111 | UY |

EATON (CHAR-LYNN)

| | A | B | C | D | E | F | G | H | 1 | 2 | 3 | 4 |
|------------|----------|-------|-----|-------|---|-----|----|----|----------|----------|----------|----|
| SERIE 2000 | ø 25 | 82.55 | M12 | 106.4 | - | - | 26 | - | 20300047 | 40000649 | - | AN |
| SERIE 2000 | ø 25.4 | 82.55 | M12 | 106.4 | - | - | 26 | - | 20300047 | 40000645 | - | AI |
| SERIE 2000 | ø 31.75 | 82.55 | M12 | 106.4 | - | - | 26 | - | 20300047 | 40000664 | - | AR |
| SERIE 2000 | ø 32 | 82.55 | M12 | 106.4 | - | - | 38 | - | 02511001 | 40000665 | - | AD |
| SERIE 2000 | 1" 6B | 82.55 | M12 | 106.4 | - | - | 26 | - | 20300047 | 40000648 | - | AM |
| SERIE 2000 | 12/24-14 | 82.55 | M12 | 106.4 | - | - | 26 | - | 20300047 | 40000672 | - | AU |
| SERIE 4000 | 12/24-17 | 127 | M14 | - | - | 162 | 29 | - | 40000653 | 40000674 | - | BH |
| SERIE 6000 | 12/24-17 | 127 | M14 | - | - | 162 | 29 | 14 | 40000653 | 02971179 | 02731096 | CQ |
| SERIE 6000 | ø 40 | 127 | M14 | - | - | 162 | 29 | 38 | 40000653 | 02241057 | 02731111 | TV |
| SERIE 6000 | 8.5/17 | 127 | M14 | - | - | 162 | 29 | 38 | 40000653 | 02241076 | 02731111 | UH |

GEOLINK

| | A | B | C | D | E | F | G | H | 1 | 2 | 3 | 4 |
|-------------|----------|-------|-----|-------|---|---|----|---|----------|----------|---|----|
| GDS 12.5-32 | ø 16 | 63 | M8 | 80 | - | - | 14 | - | 40000698 | 40000694 | - | CE |
| GHL 50-400 | ø 25 | 82.55 | M12 | 106.4 | - | - | 26 | - | 20300047 | 40000649 | - | AN |
| GHL 50-400 | 1" B6 | 82.55 | M12 | 106.4 | - | - | 26 | - | 20300047 | 40000648 | - | AM |
| GHL 50-400 | 25/22-14 | 82.55 | M12 | 106.4 | - | - | 26 | - | 20300047 | 40000647 | - | AL |
| GFS 50-400 | ø 25 | 82.55 | M12 | 106.4 | - | - | 26 | - | 20300047 | 40000649 | - | AN |
| GFS 50-400 | 1" B6 | 82.55 | M12 | 106.4 | - | - | 26 | - | 20300047 | 40000648 | - | AM |
| GFS 50-400 | 25/22-14 | 82.55 | M12 | 106.4 | - | - | 26 | - | 20300047 | 40000647 | - | AL |
| GKS 50-400 | ø 25 | 82.55 | M12 | 106.4 | - | - | 26 | - | 20300047 | 40000649 | - | AN |
| GKS 50-400 | 1" B6 | 82.55 | M12 | 106.4 | - | - | 26 | - | 20300047 | 40000648 | - | AM |
| GKS 50-400 | 25/22-14 | 82.55 | M12 | 106.4 | - | - | 26 | - | 20300047 | 40000647 | - | AL |
| GLS 80-315 | 12/24-14 | 82.55 | M12 | 106.4 | - | - | 38 | - | 02511001 | 40000672 | - | AE |
| GLS 80-315 | ø 32 | 82.55 | M12 | 106.4 | - | - | 38 | - | 02511001 | 40000665 | - | AD |

HP HYDRAULIC

| | A | B | C | D | E | F | G | H | 1 | 2 | 3 | 4 |
|------------|----------|-------|-----|-------|---|---|----|---|----------|----------|---|----|
| M4PV 21-28 | ø 25.4 | 101.6 | M14 | 146 | - | - | 20 | - | 40000635 | 40000645 | - | AV |
| M4PV 21-28 | 16/32-13 | 101.6 | M14 | 146 | - | - | 20 | - | 40000635 | 40000657 | - | AZ |
| M4PV 21-28 | 16/32-15 | 101.6 | M14 | 146 | - | - | 20 | - | 40000635 | 40000671 | - | BB |
| M4MF 21-28 | ø 25.4 | 82.55 | M12 | 106.4 | - | - | 26 | - | 20300047 | 40000645 | - | AI |
| M4MF 21-28 | 16/32-13 | 82.55 | M12 | 106.4 | - | - | 26 | - | 20300047 | 40000657 | - | AP |
| M4MF 21-28 | 16/32-15 | 82.55 | M12 | 106.4 | - | - | 26 | - | 20300047 | 40000671 | - | AT |

HP HYDRAULIC

| | A | B | C | D | E | F | G | H | 1 | 2 | 3 | 4 |
|------------|----------|-------|-----|-----|---|---|----|---|----------|----------|---|----|
| M4PV 34-65 | ø 25.4 | 101.6 | M14 | 146 | - | - | 20 | - | 40000635 | 40000645 | - | AV |
| M4PV 34-65 | 16/32-13 | 101.6 | M14 | 146 | - | - | 20 | - | 40000635 | 40000657 | - | AZ |
| M4PV 34-65 | 16/32-15 | 101.6 | M14 | 146 | - | - | 20 | - | 40000635 | 40000671 | - | BB |
| M4MF 34-65 | ø 25.4 | 101.6 | M14 | 146 | - | - | 20 | - | 40000635 | 40000645 | - | AV |
| M4MF 34-65 | 16/32-13 | 101.6 | M14 | 146 | - | - | 20 | - | 40000635 | 40000657 | - | AZ |
| M4MF 34-65 | 16/32-15 | 101.6 | M14 | 146 | - | - | 20 | - | 40000635 | 40000671 | - | BB |
| M4MV 34-65 | ø 25.4 | 101.6 | M14 | 146 | - | - | 20 | - | 40000635 | 40000645 | - | AV |
| M4MV 34-65 | 16/32-13 | 101.6 | M14 | 146 | - | - | 20 | - | 40000635 | 40000657 | - | AZ |
| M4MV 34-65 | 16/32-15 | 101.6 | M14 | 146 | - | - | 20 | - | 40000635 | 40000671 | - | BB |

LINDE

| | A | B | C | D | E | F | G | H | 1 | 2 | 3 | 4 |
|-----------|----------|-------|-----|-----|---|---|----|---|----------|----------|---|----|
| HMF 35 | 16/32-15 | 101.6 | M14 | 146 | - | - | 20 | - | 40000635 | 40000671 | - | BB |
| HMF 50-75 | 16/32-21 | 127 | M16 | 181 | - | - | 34 | - | 40001811 | 40000654 | - | CF |
| HMF 105 | 16/32-23 | 127 | M16 | 181 | - | - | 34 | - | 40001811 | 40000654 | - | CH |

M + S

| | A | B | C | D | E | F | G | H | 1 | 2 | 3 | 4 |
|--------------|----------|-------|-----|-------|---|-----|----|---|----------|----------|---|----|
| EPMM 8-50 | ø 14 | 63 | M8 | 80 | - | - | 14 | - | 40000698 | 40000658 | - | CD |
| EPMM 8-50 | ø 16 | 63 | M8 | 80 | - | - | 14 | - | 40000698 | 40000694 | - | CE |
| EPM 40-630 | ø 25 | 82.55 | M12 | 106.4 | - | - | 26 | - | 20300047 | 40000649 | - | AN |
| EPM 40-630 | ø 25.4 | 82.55 | M12 | 106.4 | - | - | 26 | - | 20300047 | 40000645 | - | AI |
| EPM 40-630 | 1" 6B | 82.55 | M12 | 106.4 | - | - | 26 | - | 20300047 | 40000648 | - | AM |
| EPM 40-630 | 25/22-14 | 82.55 | M12 | 106.4 | - | - | 26 | - | 20300047 | 40000647 | - | AL |
| EPM 40-630 | 12/24-14 | 82.55 | M12 | 106.4 | - | - | 38 | - | 02511001 | 40000672 | - | AE |
| EPM 40-630 | ø 32 | 82.55 | M12 | 106.4 | - | - | 38 | - | 02511001 | 40000665 | - | AD |
| EPRM 50-400 | ø 25 | 82.55 | M12 | 106.4 | - | - | 26 | - | 20300047 | 40000649 | - | AN |
| EPRM 50-400 | ø 25.4 | 82.55 | M12 | 106.4 | - | - | 26 | - | 20300047 | 40000645 | - | AI |
| EPRM 50-400 | 1" 6B | 82.55 | M12 | 106.4 | - | - | 26 | - | 20300047 | 40000648 | - | AM |
| EPRM 50-400 | 25/22-14 | 82.55 | M12 | 106.4 | - | - | 26 | - | 20300047 | 40000647 | - | AL |
| EPRM 50-400 | 12/24-14 | 82.55 | M12 | 106.4 | - | - | 38 | - | 02511001 | 40000672 | - | AE |
| EPRM 50-400 | ø 32 | 82.55 | M12 | 106.4 | - | - | 38 | - | 02511001 | 40000665 | - | AD |
| EPMS 80-400 | ø 31.75 | 82.55 | M12 | 106.4 | - | - | 38 | - | 02511001 | 40000664 | - | AC |
| EPMS 80-400 | ø 32 | 82.55 | M12 | 106.4 | - | - | 38 | - | 02511001 | 40000665 | - | AD |
| EPMS 80-400 | 12/24-17 | 82.55 | M12 | 106.4 | - | - | 38 | - | 02511001 | 40000674 | - | AF |
| EPMT 160-500 | 12/24-17 | 125 | M12 | - | - | 160 | 86 | - | 40001833 | 40000674 | - | CI |

REXROTH

| | A | B | C | D | E | F | G | H | 1 | 2 | 3 | 4 |
|------------|----------|-------|-----|-----|---|-----|------|---|----------|----------|---|-----|
| A2FM 10-16 | ø 25 | 80 | M8 | - | - | 100 | 36.5 | - | 40001842 | 40000649 | - | CL |
| A2FM 10-16 | W25x1.25 | 80 | M8 | - | - | 100 | 36.5 | - | 40001842 | 40000668 | - | CM |
| A2FM 23-32 | ø 25 | 100 | M10 | - | - | 125 | 48 | - | 40000682 | 40000649 | - | BS |
| A2FM 23-32 | W25x1.25 | 100 | M10 | - | - | 125 | 48 | - | 40000682 | 40000668 | - | BT |
| A2FM 23-32 | W30x2 | 100 | M10 | - | - | 125 | 48 | - | 40000682 | 40000669 | - | BU |
| A2FM 45-63 | W30x2 | 125 | M12 | - | - | 160 | 44 | - | 40000684 | 40000669 | - | CA |
| A2FM 45-63 | W35x2 | 125 | M12 | - | - | 160 | 44 | - | 40000684 | 40000670 | - | CB |
| A2FM 80-90 | W35x2 | 140 | M12 | - | - | 180 | 53 | - | 40001852 | 40000670 | - | CN |
| A2FM 80-90 | W40x2 | 140 | M12 | - | - | 180 | 53 | - | 40001852 | 40001858 | - | CP |
| A2FM 160 | W50x2 | 180 | M16 | - | - | 224 | 62 | - | 02511163 | 02631150 | - | 3T* |
| A2FM 200 | W50x2 | 200 | M20 | - | - | 250 | 73 | - | 02511165 | 02631150 | - | 4B* |
| A4FM 22-28 | 16/32-13 | 101.6 | M14 | 146 | - | - | 20 | - | 40000635 | 40000657 | - | AZ |
| A4FM 22-28 | 16/32-15 | 101.6 | M14 | 146 | - | - | 20 | - | 40000635 | 40000671 | - | BB |
| A4FM 40 | W30x2 | 101.6 | M14 | 146 | - | - | 20 | - | 40000635 | 40000669 | - | BA |
| A4FM 56 | W30x2 | 127 | M16 | 181 | - | - | 34 | - | 40001811 | 40000669 | - | CG |

* ONLY FOR MU INPUT / PARA ENTRADA MU

REXROTH

| | A | B | C | D | E | F | G | H | 1 | 2 | 3 | 4 |
|-------------|----------|-------|-----|-----|---|-----|----|---|----------|----------|---|-----|
| A10FM 23-28 | 16/32-13 | 101.6 | M14 | 146 | - | - | 20 | - | 40000635 | 40000657 | - | AZ |
| A10FM 37-45 | 16/32-15 | 101.6 | M14 | 146 | - | - | 20 | - | 40000635 | 40000671 | - | BB |
| A6VM 28 | W25x1.25 | 100 | M10 | - | - | 125 | 48 | - | 40000682 | 40000668 | - | BT |
| A6VM 28 | W30x2 | 100 | M10 | - | - | 125 | 48 | - | 40000682 | 40000669 | - | BU |
| A6VM 55 | W30x2 | 125 | M12 | - | - | 160 | 44 | - | 40000684 | 40000669 | - | CA |
| A6VM 55 | W35x2 | 125 | M12 | - | - | 160 | 44 | - | 40000684 | 40000670 | - | CB |
| A6VM 80 | W35x2 | 140 | M12 | - | - | 180 | 53 | - | 40001852 | 40000670 | - | CN |
| A6VM 80 | W40x2 | 140 | M12 | - | - | 180 | 53 | - | 40001852 | 40001858 | - | CP |
| A6VM 107 | W45x2 | 160 | M16 | - | - | 200 | 53 | - | 02511167 | 02631160 | - | 9N* |
| A6VM 160 | W45x2 | 180 | M16 | - | - | 224 | 62 | - | 02511163 | 02631151 | - | 9Q* |
| A6VM 160 | W50x2 | 180 | M16 | - | - | 224 | 62 | - | 02511163 | 02631150 | - | 3T* |
| A6VM 250 | W50x2 | 200 | M20 | - | - | 250 | 73 | - | 02511165 | 02631150 | - | 4B* |

SAE STANDARD

| | A | B | C | D | E | F | G | H | 1 | 2 | 3 | 4 |
|---------|----------|-------|-----|-------|-------|-----|----|---|----------|----------|---|---|
| SAE A | ø 25 | 82.55 | M12 | 106.4 | - | - | 26 | - | 20300047 | 40000649 | - | - |
| | ø 25.4 | 82.55 | M12 | 106.4 | - | - | 26 | - | 20300047 | 40000645 | - | - |
| | ø 31.75 | 82.55 | M12 | 106.4 | - | - | 26 | - | 20300047 | 40000664 | - | - |
| | ø 32 | 82.55 | M12 | 106.4 | - | - | 26 | - | 20300047 | 40000665 | - | - |
| | 1" 6B | 82.55 | M12 | 106.4 | - | - | 26 | - | 20300047 | 40000648 | - | - |
| | 12/24-14 | 82.55 | M12 | 106.4 | - | - | 26 | - | 20300047 | 40000672 | - | - |
| SAE B | ø 25 | 101.6 | M14 | 146 | - | - | 20 | - | 40000635 | 40000649 | - | - |
| | ø 25.4 | 101.6 | M14 | 146 | - | - | 20 | - | 40000635 | 40000645 | - | - |
| | ø 31.75 | 101.6 | M14 | 146 | - | - | 20 | - | 40000635 | 40000664 | - | - |
| | ø 32 | 101.6 | M14 | 146 | - | - | 20 | - | 40000635 | 40000665 | - | - |
| | 1" 6B | 101.6 | M14 | 146 | - | - | 20 | - | 40000635 | 40000648 | - | - |
| | 12/24-14 | 101.6 | M14 | 146 | - | - | 20 | - | 40000635 | 40000672 | - | - |
| MAGNETO | ø 25 | 82.55 | M12 | - | 106.4 | - | 26 | - | 40000680 | 40000649 | - | - |
| | ø 25.4 | 82.55 | M12 | - | 106.4 | - | 26 | - | 40000680 | 40000645 | - | - |
| | ø 31.75 | 82.55 | M12 | - | 106.4 | - | 26 | - | 40000680 | 40000664 | - | - |
| | ø 32 | 82.55 | M12 | - | 106.4 | - | 26 | - | 40000680 | 40000665 | - | - |
| | 1" 6B | 82.55 | M12 | - | 106.4 | - | 26 | - | 40000680 | 40000648 | - | - |
| | 12/24-14 | 82.55 | M12 | - | 106.4 | - | 26 | - | 40000680 | 40000672 | - | - |
| SAE C | ø 31.75 | 127 | M14 | - | - | 162 | 29 | - | 02511108 | 40000664 | - | - |
| | 12/24-14 | 127 | M14 | - | - | 162 | 29 | - | 02511108 | 40000672 | - | - |
| | 12/24-17 | 127 | M14 | - | - | 162 | 29 | - | 02511108 | 40000674 | - | - |

SAMHYDRAULIK

| | A | B | C | D | E | F | G | H | 1 | 2 | 3 | 4 |
|------------|----------|-------|-----|-------|---|---|----|---|----------|----------|---|----|
| BGM 13-50 | ø 16 | 63 | M8 | 80 | - | - | 14 | - | 40000698 | 40000694 | - | CE |
| BG 40-400 | ø 25 | 82.55 | M12 | 106.4 | - | - | 26 | - | 20300047 | 40000649 | - | AN |
| BG 40-400 | ø 25.4 | 82.55 | M12 | 106.4 | - | - | 26 | - | 20300047 | 40000645 | - | AI |
| BG 40-400 | 1" 6B | 82.55 | M12 | 106.4 | - | - | 26 | - | 20300047 | 40000648 | - | AM |
| AGC 50-400 | ø 25 | 82.55 | M12 | 106.4 | - | - | 26 | - | 20300047 | 40000649 | - | AN |
| AGC 50-400 | ø 25.4 | 82.55 | M12 | 106.4 | - | - | 26 | - | 20300047 | 40000645 | - | AI |
| AGC 50-400 | ø 32 | 82.55 | M12 | 106.4 | - | - | 38 | - | 20300047 | 40000665 | - | AS |
| AGS 50-400 | ø 25 | 82.55 | M12 | 106.4 | - | - | 38 | - | 02511001 | 40000649 | - | AB |
| AGS 50-400 | ø 31.75 | 82.55 | M12 | 106.4 | - | - | 38 | - | 02511001 | 40000664 | - | AC |
| AGS 50-400 | ø 32 | 82.55 | M12 | 106.4 | - | - | 38 | - | 02511001 | 40000665 | - | AD |
| AGS 50-400 | 1" 6B | 82.55 | M12 | 106.4 | - | - | 38 | - | 02511001 | 40000648 | - | AA |
| AGS 50-400 | 12/24-14 | 82.55 | M12 | 106.4 | - | - | 38 | - | 02511001 | 40000672 | - | AE |
| AGF 50-400 | ø 25 | 82.55 | M12 | 106.4 | - | - | 26 | - | 20300047 | 40000649 | - | AN |
| AR 50-400 | ø 25 | 82.55 | M12 | 106.4 | - | - | 26 | - | 20300047 | 40000649 | - | AN |
| AR 50-400 | ø 25.4 | 82.55 | M12 | 106.4 | - | - | 26 | - | 20300047 | 40000645 | - | AI |
| AR 50-400 | 1" 6B | 82.55 | M12 | 106.4 | - | - | 26 | - | 20300047 | 40000648 | - | AM |
| AR 50-400 | 25/22-14 | 82.55 | M12 | 106.4 | - | - | 38 | - | 20300047 | 40000647 | - | AL |
| ARC 50-400 | ø 25 | 82.55 | M12 | 106.4 | - | - | 26 | - | 20300047 | 40000649 | - | AN |

SAMHYDRAULIK

| | A | B | C | D | E | F | G | H | 1 | 2 | 3 | 4 |
|------------|----------|-------|-----|-------|---|-----|----|---|----------|----------|---|-----|
| ARC 50-400 | ø 25.4 | 82.55 | M12 | 106.4 | - | - | 26 | - | 20300047 | 40000645 | - | AI |
| ARC 50-400 | ø 32 | 82.55 | M12 | 106.4 | - | - | 38 | - | 02511001 | 40000665 | - | AD |
| ARF 50-400 | ø 25 | 82.55 | M12 | 106.4 | - | - | 26 | - | 20300047 | 40000649 | - | AN |
| BR 50-400 | ø 25 | 82.55 | M12 | 106.4 | - | - | 26 | - | 20300047 | 40000649 | - | AN |
| BR 50-400 | ø 25.4 | 82.55 | M12 | 106.4 | - | - | 26 | - | 20300047 | 40000645 | - | AI |
| BR 50-400 | ø 31.75 | 82.55 | M12 | 106.4 | - | - | 26 | - | 20300047 | 40000664 | - | AR |
| BR 50-400 | ø 32 | 82.55 | M12 | 106.4 | - | - | 38 | - | 20300047 | 40000665 | - | AS |
| BR 50-400 | 1" 6B | 82.55 | M12 | 106.4 | - | - | 26 | - | 20300047 | 40000648 | - | AM |
| H1C 55 | 12/24-17 | 127 | M14 | - | - | 162 | 29 | - | 40000653 | 40000672 | - | UT |
| H1C 75 | W35x2 | 140 | M12 | - | - | 180 | 53 | - | 40001818 | 40000670 | - | TQ |
| H1C 90 | W40x2 | 160 | M16 | - | - | 200 | 57 | - | 02511039 | 40001858 | - | TP |
| H1C 160 M | W45x2 | 180 | M16 | - | - | 224 | 62 | - | 02511163 | 02631151 | - | 9Q* |
| H1C 226 M | W50x2 | 200 | M20 | - | - | 250 | 73 | - | 02511165 | 02631150 | - | 4B* |
| HPR 80-400 | ø 31.75 | 82.55 | M12 | 106.4 | - | - | 38 | - | 02511001 | 40000664 | - | AC |
| HPR 80-400 | ø 32 | 82.55 | M12 | 106.4 | - | - | 38 | - | 02511001 | 40000665 | - | AD |
| HPR 80-400 | 12/24-14 | 82.55 | M12 | 106.4 | - | - | 38 | - | 02511001 | 40000672 | - | AE |
| H2V 160 M | W45x2 | 1801 | M16 | - | - | 224 | 62 | - | 02511163 | 02631151 | - | 9Q* |

SAUER

| | A | B | C | D | E | F | G | H | 1 | 2 | 3 | 4 |
|--------------|----------|-------|-----|-----|---|-------|----|---|----------|----------|---|-----|
| SMF2 033-070 | 16/32-21 | 127 | M14 | - | - | 162 | 29 | - | 40000653 | 40000654 | - | BD |
| SMF2 089 | 16/32-23 | 127 | M14 | - | - | 162 | 29 | - | 40000653 | 40000686 | - | BI |
| M25MF | 16/32-13 | 101.6 | M14 | 146 | - | - | 20 | - | 40000635 | 40000657 | - | AZ |
| M35MF | 16/32-13 | 101.6 | M14 | 146 | - | - | 20 | - | 40000635 | 40000657 | - | AZ |
| M44MF | 16/32-13 | 101.6 | M14 | 146 | - | - | 20 | - | 40000635 | 40000657 | - | AZ |
| M46MF | 16/32-13 | 101.6 | M14 | 146 | - | - | 20 | - | 40000635 | 40000657 | - | AZ |
| 51V 080 | 12/24-14 | 127 | M14 | - | - | 162 | 29 | - | 40000653 | 40000672 | - | BG |
| 51V 080 | 16/32-23 | 127 | M14 | - | - | 162 | 29 | - | 40000653 | 40000686 | - | BI |
| 51V 110/160A | 8/16-13 | 152.4 | M20 | - | - | 228.5 | 40 | - | 02511164 | 02631152 | - | 8X |
| 51V 160/A | 8/16-13 | 152.4 | M20 | - | - | 228.5 | 35 | - | 40001844 | 02241043 | - | UX |
| 90M 030 | 16/32-13 | 101.6 | M14 | 146 | - | - | 20 | - | 40000635 | 40000657 | - | AZ |
| 90M 030 | 16/32-15 | 101.6 | M14 | 146 | - | - | 20 | - | 40000635 | 40000671 | - | BB |
| 90M 042 | 16/32-13 | 101.6 | M14 | 146 | - | - | 20 | - | 40000635 | 40000657 | - | AZ |
| 90M 042 | 16/32-15 | 101.6 | M14 | 146 | - | - | 20 | - | 40000635 | 40000671 | - | BB |
| 90M 055 | 16/32-21 | 127 | M14 | - | - | 162 | 29 | - | 40000653 | 40000654 | - | BD |
| 90M 075 | 16/32-21 | 127 | M14 | - | - | 162 | 29 | - | 40000653 | 40000654 | - | BD |
| 90M 100 | 16/32-23 | 127 | M14 | - | - | 162 | 29 | - | 40000653 | 40000686 | - | BI |
| 90M 130 | 8/16-13 | 152.4 | M20 | - | - | 228.5 | 40 | - | 02511164 | 02631152 | - | 8X* |

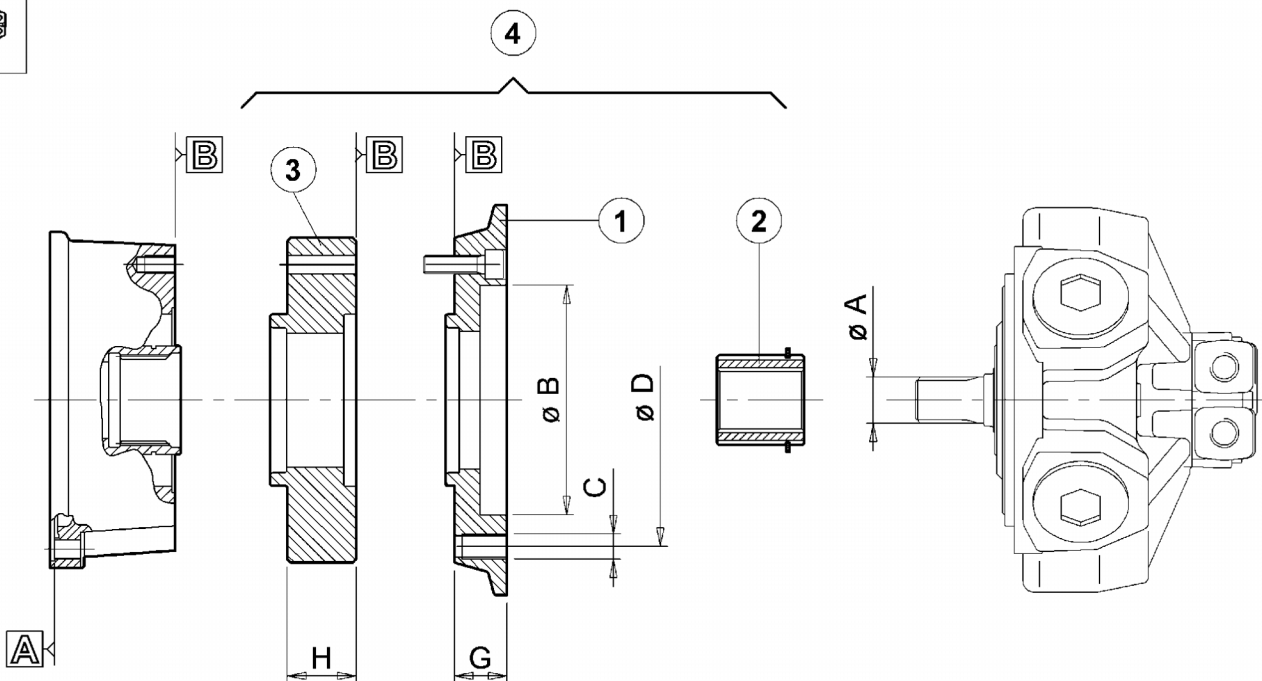
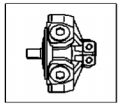
VOAC

| | A | B | C | D | E | F | G | H | 1 | 2 | 3 | 4 |
|--------------|----------|-------|-----|-----|---|-------|----|----|----------|----------|----------|-----|
| F 11/150 SAE | 8/16-13 | 152.4 | M20 | - | - | 228.5 | 40 | - | 02511164 | 02631152 | - | 8X* |
| F12-30 SAE | ø 25.4 | 101.6 | M14 | 146 | - | - | 20 | - | 40000635 | 40000645 | - | AV |
| F12-30 SAE | 16/32-13 | 101.6 | M14 | 146 | - | - | 20 | - | 40000635 | 40000657 | - | AZ |
| F12-40 SAE | ø 31.75 | 127 | M14 | - | - | 162 | 29 | - | 40000653 | 40000664 | - | BF |
| F12-40 SAE | 12/24-14 | 127 | M14 | - | - | 162 | 29 | - | 40000653 | 40000672 | - | BG |
| F12-60 SAE | ø 31.75 | 127 | M14 | - | - | 162 | 29 | - | 40000653 | 40000664 | - | BF |
| F12-60 SAE | 12/24-14 | 127 | M14 | - | - | 162 | 29 | - | 40000653 | 40000672 | - | BG |
| F12-80 SAE | 12/24-17 | 127 | M14 | - | - | 162 | 29 | - | 40000653 | 40000674 | - | BH |
| V12-60 SAE | 12/24-14 | 127 | M14 | - | - | 162 | 29 | - | 40000653 | 40000672 | - | BG |
| V12-80 SAE | 12/24-14 | 127 | M14 | - | - | 162 | 29 | - | 40000653 | 40000672 | - | BG |
| F 12/110 SAE | 8/16-13 | 152.4 | M20 | - | - | 228.5 | 40 | - | 02511164 | 02631152 | - | 8X* |
| V14-160 | W45x2 | 180 | M16 | - | - | 224 | 62 | - | 02511163 | 02631151 | - | 9Q* |
| F12-80-ISO | ø 40 | 140 | M12 | - | - | 180 | 53 | 38 | 40001852 | 02241057 | 02731111 | UW |
| TK | 12/24-17 | 127 | M14 | - | - | 162 | 29 | 14 | 40000653 | 40000674 | 02731096 | CQ |
| F12-30-ISO | W30x2 | 100 | M10 | - | - | 125 | 48 | - | 40000682 | 40000669 | - | BU |
| F12-60-ISO | W35x2 | 125 | M12 | - | - | 160 | 44 | - | 40000684 | 40000670 | - | CB |
| F12-80-ISO | W40x2 | 140 | M12 | - | - | 180 | 53 | - | 40001852 | 40001858 | - | CP |
| F 12/110 ISO | W45x2 | 160 | M16 | - | - | 200 | 53 | - | 02511167 | 02631160 | - | 9N* |

* ONLY FOR MU INPUT / PARA ENTRADA MU

WHITE

| | A | B | C | D | E | F | G | H | 1 | 2 | 3 | 4 |
|----------|----------|-------|-----|-------|-------|---|----|---|----------|----------|---|----|
| RS 03-24 | ø 25 | 82.55 | M12 | 106.4 | - | - | 26 | - | 20300047 | 40000649 | - | AN |
| RS 03-24 | ø 25.4 | 82.55 | M12 | 106.4 | - | - | 26 | - | 20300047 | 40000645 | - | AI |
| RS 03-24 | 1" 6B | 82.55 | M12 | 106.4 | - | - | 26 | - | 20300047 | 40000648 | - | AM |
| HB 03-24 | ø 25 | 82.55 | M12 | 106.4 | - | - | 26 | - | 20300047 | 40000649 | - | AN |
| HB 03-24 | ø 25.4 | 82.55 | M12 | 106.4 | - | - | 26 | - | 20300047 | 40000645 | - | AI |
| HB 03-24 | ø 31.75 | 82.55 | M12 | 106.4 | - | - | 26 | - | 20300047 | 40000664 | - | AR |
| HB 03-24 | ø 32 | 82.55 | M12 | 106.4 | - | - | 26 | - | 20300047 | 40000665 | - | AS |
| HB 03-24 | 1" 6B | 82.55 | M12 | 106.4 | - | - | 26 | - | 20300047 | 40000648 | - | AM |
| HB 03-24 | 12/24-14 | 82.55 | M12 | 106.4 | - | - | 26 | - | 20300047 | 40000672 | - | AU |
| HB 03-24 | 16/32-13 | 82.55 | M12 | 106.4 | - | - | 26 | - | 20300047 | 40000657 | - | AP |
| RE 07-45 | ø 25 | 82.55 | M12 | - | 106.4 | - | 26 | - | 40000680 | 40000649 | - | BN |
| RE 07-45 | ø 25.4 | 82.55 | M12 | - | 106.4 | - | 26 | - | 40000680 | 40000645 | - | BL |
| RE 07-45 | ø 31.75 | 82.55 | M12 | - | 106.4 | - | 26 | - | 40000680 | 40000664 | - | BP |
| RE 07-45 | ø 32 | 82.55 | M12 | - | 106.4 | - | 26 | - | 40000680 | 40000665 | - | BQ |
| RE 07-45 | 1" 6B | 82.55 | M12 | - | 106.4 | - | 26 | - | 40000680 | 40000648 | - | BM |
| RE 07-45 | 12/24-14 | 82.55 | M12 | - | 106.4 | - | 26 | - | 40000680 | 40000672 | - | BR |
| DR 12-46 | ø 25 | 82.55 | M12 | - | 106.4 | - | 26 | - | 40000680 | 40000649 | - | BN |
| DR 12-46 | ø 25.4 | 82.55 | M12 | - | 106.4 | - | 26 | - | 40000680 | 40000645 | - | BL |
| DR 12-46 | ø 31.75 | 82.55 | M12 | - | 106.4 | - | 26 | - | 40000680 | 40000664 | - | BP |
| DR 12-46 | ø 32 | 82.55 | M12 | - | 106.4 | - | 26 | - | 40000680 | 40000665 | - | BQ |
| DR 12-46 | 1" 6B | 82.55 | M12 | - | 106.4 | - | 26 | - | 40000680 | 40000648 | - | BM |
| DR 12-46 | 12/24-14 | 82.55 | M12 | - | 106.4 | - | 26 | - | 40000680 | 40000672 | - | BR |



DINAMIC OIL

| | A | B | C | D | E | F | G | H | 1 | 2 | 3 | 4 |
|--------------|---------|-----|-----|-----|---|---|-----|---|----------|----------|---|----|
| RMBX 100-200 | 28x34x6 | 175 | M10 | 210 | - | - | 29 | - | 40000623 | 40000646 | - | FB |
| RMBX 250-300 | 32x38x8 | 190 | M12 | 210 | - | - | 32 | - | 40001834 | 40000687 | - | FC |
| RMBX 400-600 | 36x42x8 | 230 | M14 | 254 | - | - | 108 | - | 02511014 | 02591010 | - | UI |

INTERMOT

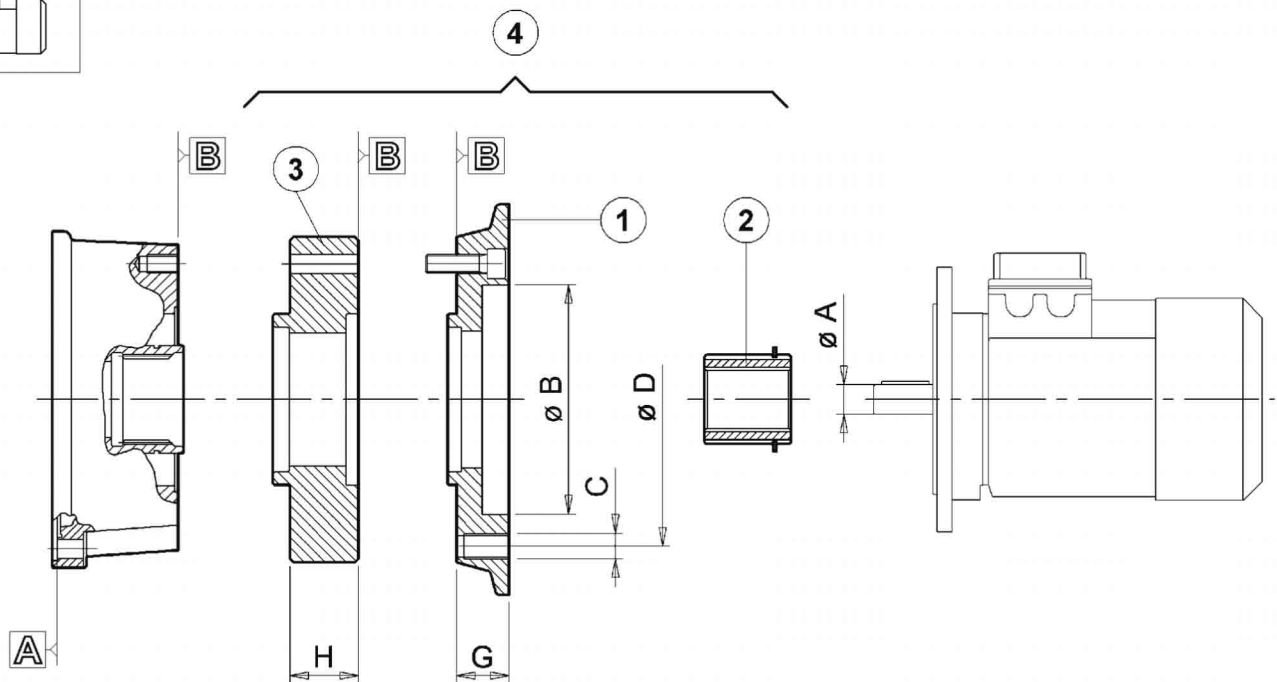
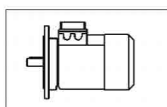
| | A | B | C | D | E | F | G | H | 1 | 2 | 3 | 4 |
|----------|------|-------|-----|-------|---|---|------|----|----------|----------|----------|----|
| G34/A-AA | ∅ 30 | 82.55 | M12 | 106.4 | - | - | 10.5 | 26 | 02511082 | 02591040 | 02511018 | UM |

SAI

| | A | B | C | D | E | F | G | H | 1 | 2 | 3 | 4 |
|-------------|---------|-----|-----|-----|---|---|----|---|----------|----------|---|----|
| GM05 40-200 | 28x34x6 | 125 | M10 | 160 | - | - | 40 | - | 02511045 | 40000646 | - | TZ |
| GM05 40-200 | 35x2x16 | 125 | M10 | 160 | - | - | 40 | - | 02511045 | 40000670 | - | TT |
| GM05 40-200 | ∅ 30 | 125 | M10 | 160 | - | - | 40 | - | 02511045 | 02591040 | - | TM |
| GM1 100-320 | 28x34x6 | 175 | M12 | 210 | - | - | 29 | - | 02971466 | 40000646 | - | VB |
| GM1 100-320 | 35x2x16 | 175 | M12 | 210 | - | - | 29 | - | 02971466 | 40000670 | - | TJ |
| GM2 200-630 | 40x3x12 | 150 | M12 | 250 | - | - | 38 | - | 02511070 | 02591044 | - | UB |
| GM2 200-630 | 36x40 | 150 | M12 | 250 | - | - | 38 | - | 02511070 | 02591063 | - | VA |

CALZONI

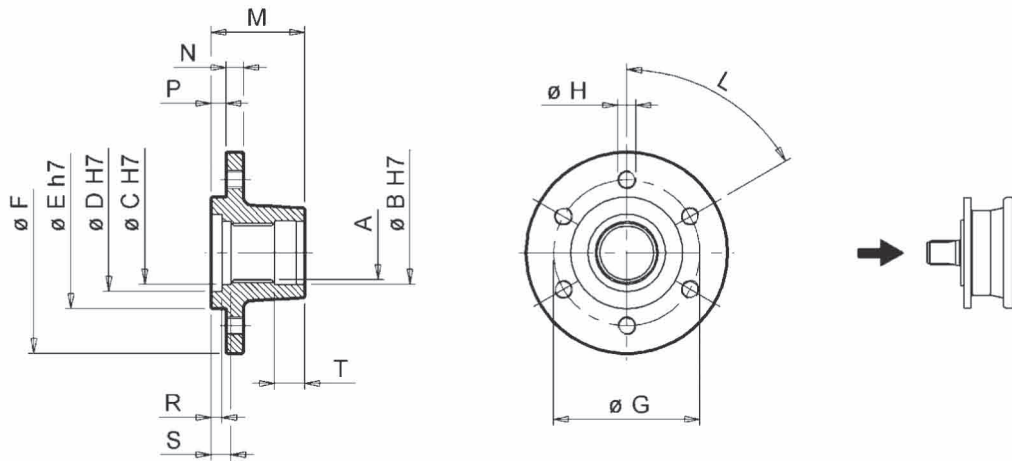
| | A | B | C | D | E | F | G | H | 1 | 2 | 3 | 4 |
|------------|---------|-----|-----|-----|---|---|----|---|----------|----------|---|----|
| MR 250-300 | 42x48x8 | 175 | M10 | 232 | - | - | 92 | - | 02511030 | 02591016 | - | FA |



MOTORI ELETTRICI

| | A | B | C | D | E | F | G | H | 1 | 2 | 3 | 4 |
|------------|------|-----|------|-----|---|---|------|----|----------|----------|----------|----|
| 63 B5 | ∅ 11 | 95 | M8 | 115 | - | - | 20 | - | 02511000 | 02591001 | - | TL |
| 71 B5 | ∅ 14 | 110 | M8 | 130 | - | - | 16 | - | 40000690 | 40000658 | - | CC |
| 80 B5 | ∅ 19 | 130 | M10 | 165 | - | - | 16 | - | 40000683 | 40000659 | - | BV |
| 90 B5 | ∅ 24 | 130 | M10 | 165 | - | - | 16 | - | 40000683 | 40000660 | - | BZ |
| 100 B5 | ∅ 28 | 180 | M12 | 215 | - | - | 16 | - | 02511018 | 40000660 | - | UA |
| 100/112 B5 | ∅ 28 | 180 | M12 | 215 | - | - | 24.5 | - | 02511018 | 40000661 | - | AH |
| 112 B5 | ∅ 38 | 180 | M12 | 215 | - | - | 24 | 38 | 02511018 | 02241029 | 02731111 | UU |
| 132 B5 | ∅ 38 | 230 | M12 | 265 | - | - | 49 | - | 02511016 | - | - | AG |
| 132 B14 | ∅ 38 | 130 | ∅ 11 | 165 | - | - | 69 | - | 02511076 | - | - | UF |
| 200 B5 | ∅ 55 | 300 | M18 | 350 | - | - | 130 | - | 02511067 | 02241066 | - | TX |

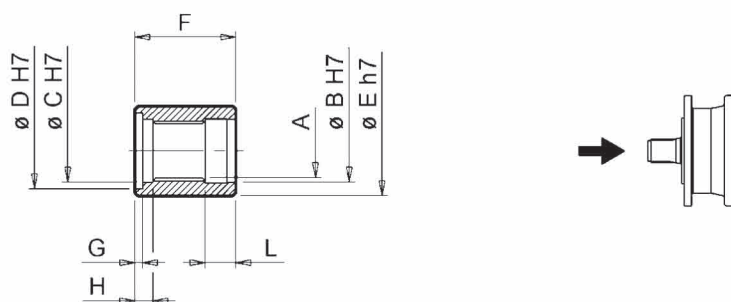
FL



| | VERSION | A | $\varnothing B$ | $\varnothing C$ | $\varnothing D$ | $\varnothing E$ | $\varnothing F$ | $\varnothing G$ | $\varnothing H$ | L |
|----------------|----------|------------------|-----------------|-----------------|-----------------|-----------------|-----------------|-----------------|-----------------|-----|
| RE 110-210 | N-P-T-TR | A40x36 DIN 5482 | 42 | 42 | 52 | 75 | 135 | 98 | M12x1.5 (4) | 90° |
| RE 240 | T-TR | A58x53 DIN 5482 | 60 | 60 | - | 95 | 165 | 145 | 12.5 (12) | 30° |
| RE 310-510 | N-P-T-TL | A58x53 DIN 5482 | 60 | 60 | - | 95 | 165 | 145 | 12.5 (12) | 30° |
| RE 810 | N-P-T | A70x64 DIN 5482 | 72 | 72 | - | 125 | 208 | 175 | 19 (12) | 30° |
| RE 1020-1520 | T-H | A80x74 DIN 5482 | 85 | 85 | - | 125 | 208 | 175 | 19 (12) | 30° |
| RE 2520 | H | A100x94 DIN 5482 | 105 | 105 | - | 170 | 254 | 212 | 21 (12) | 30° |
| RE 3510 | H | N120x3 DIN 5480 | 124 | 130 | - | 160 | 298 | 250 | 21 (12) | 30° |
| RE 5020 | H | N120x3 DIN 5480 | 120 | 120 | - | 200 | 308 | 260 | 25 (12) | 30° |
| RE 5020 | H6 | N150x5 DIN 5480 | 151 | 151 | - | 240 | 385 | 320 | 32 (12) | 30° |
| RE 6520 | H | N150x5 DIN 5480 | 151 | 151 | - | 240 | 385 | 320 | 32 (12) | 30° |
| GB 11000-13000 | H | N170x5 DIN 5480 | 170 | 175 | - | 250 | 450 | 400 | 28 (18) | 20° |
| GB 18000-21000 | H | N220x5 DIN 5480 | 220 | 230 | - | 315 | 500 | 450 | 32 (18) | 20° |

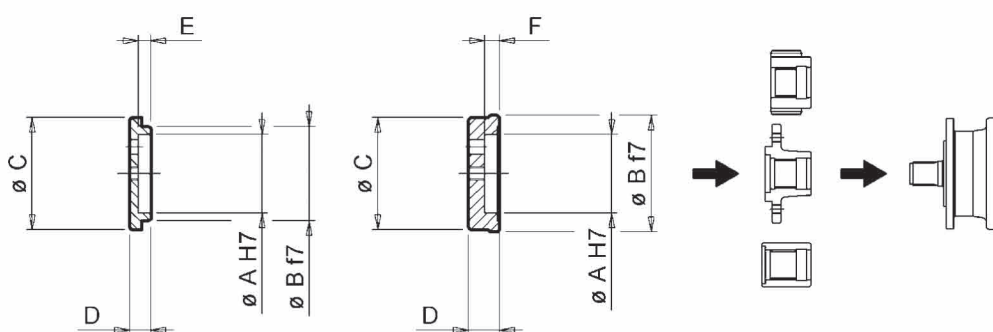
| | VERSION | M | N | P | R | S | T | CODE |
|----------------|----------|------|----|----|-----|------|------|----------|
| RE 110-210 | N-P-T-TR | 63 | 12 | 10 | 7.5 | 13.5 | 20.5 | 40000618 |
| RE 240 | T-TR | 74 | 14 | 10 | 8 | - | 24 | 02571148 |
| RE 310-510 | N-P-T-TL | 74 | 14 | 10 | 8 | - | 24 | 02571148 |
| RE 810 | N-P-T | 90 | 21 | 14 | 10 | - | 29 | 40001838 |
| RE 1020-1520 | T-H | 90.5 | 21 | 14 | 9.5 | - | 30.5 | 40001848 |
| RE 2520 | H | 110 | 24 | 20 | 12 | - | 37 | 40001851 |
| RE 3510 | H | 150 | 30 | 20 | 28 | - | 29 | 02571068 |
| RE 5020 | H | 125 | 31 | 19 | 11 | - | 30 | 02571054 |
| RE 5020 | H6 | 150 | 35 | 25 | 11 | - | 33 | 02571063 |
| RE 6520 | H | 150 | 35 | 25 | 11 | - | 33 | 02571063 |
| GB 11000-13000 | H | 163 | 42 | 48 | 14 | - | 42 | 02571048 |
| GB 18000-21000 | H | 205 | 47 | 70 | 16 | - | 51.5 | 02571049 |

BS



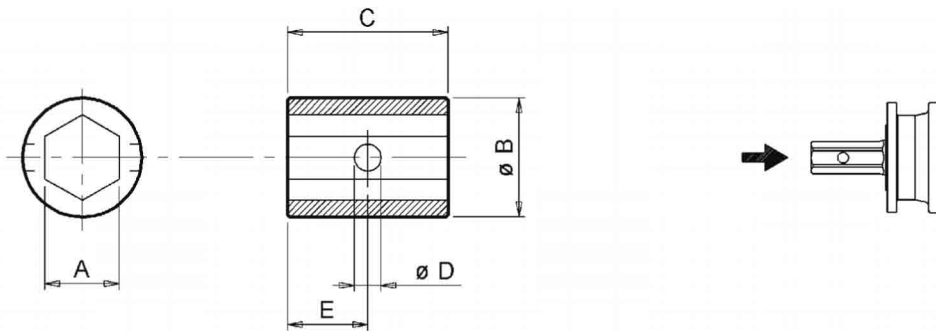
| | VERSION | A | ø B | ø C | ø D | ø E | F | G | H | L | CODE |
|----------------|----------|--------------------|-----|-----|-----|-----|-------|----|------|------|----------|
| RE 110-210 | N-P | A40x36 DIN 5482 | 42 | 42 | - | 60 | 55 | - | 7 | 20.5 | 40000608 |
| RE 110-210 | T-TR | A40x36 DIN 5482 | 42 | 42 | 51 | 60 | 67.5 | 5 | 12 | 20.5 | 40000617 |
| RE 240 | T-TR | A58x53 DIN 5482 | 60 | 60 | 72 | 94 | 85 | 16 | 23 | 25 | 40000642 |
| RE 310-510 | N-P-T-TL | A58x53 DIN 5482 | 60 | 60 | 72 | 94 | 85 | 16 | 23 | 25 | 40000642 |
| RE 810 | N-P-T | A70x64 DIN 5482 | 72 | 72 | - | 95 | 90 | - | 10 | 29 | 40001836 |
| RE 1020-1520 | T-H | A80x74 DIN 5482 | 85 | 85 | - | 108 | 90.5 | - | 10.5 | 30.5 | 40001847 |
| RE 2520 | H | A100x94 DIN 5482 | 105 | 105 | - | 136 | 110 | - | 12 | 33 | 40001850 |
| RE 3510 | H | N120x3x9H DIN 5480 | 124 | 130 | - | 175 | 150 | - | 28 | 29 | 02631054 |
| RE 5020 | H | N120x3x9H DIN 5480 | 120 | 120 | - | 160 | 124.5 | - | 10.5 | 31 | 02631082 |
| RE 5020 | H6 | N150x5x9H DIN 5480 | 151 | 151 | - | 220 | 150 | - | 11 | 33 | 02631092 |
| RE 6520 | H | N150x5x9H DIN 5480 | 151 | 151 | - | 220 | 150 | - | 11 | 33 | 02631092 |
| GB 11000-13000 | H | N170x5x9H DIN 5480 | 170 | 175 | - | 235 | 163 | - | 14 | 42 | 02631026 |
| GB 18000-21000 | H | N220x5x9H DIN 5480 | 220 | 230 | - | 295 | 205 | - | 16 | 51.5 | 02631027 |

EP



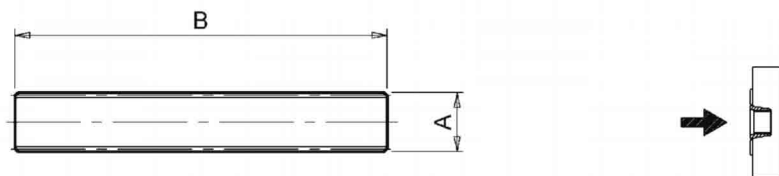
| | VERSION | ø A | ø B | ø C | D | E | F | CODE |
|----------------|---------|-----|-----|-----|------|------|-----|----------|
| RE 110-210 | N-P | 35 | 42 | 50 | 9.5 | 4.5 | - | 40000609 |
| RE 110-210 | T-TR | 35 | 52 | 50 | 14 | - | 6.8 | 40000614 |
| RE 240 | T-TR | 50 | 60 | 70 | 13 | 5.5 | - | 40000613 |
| RE 310-510 | N-P | 50 | 60 | 70 | 13 | 5.5 | - | 40000613 |
| RE 310-510 | T-TL | 50 | 72 | - | 18 | - | 9 | 40000616 |
| RE 810 | N-P-T | 62 | 72 | 80 | 18 | 9.25 | - | 40001832 |
| RE 1020-1520 | T-H | 70 | 85 | 98 | 19.5 | 8.5 | - | 40001840 |
| RE 2520 | H | 85 | 105 | 114 | 20 | 10 | - | 40001849 |
| RE 3510 | H | 90 | 130 | - | 26 | - | 14 | 02551072 |
| RE 5020 | H | 100 | 120 | 135 | 21 | 9.5 | - | 02551060 |
| RE 5020 | H6 | 125 | 151 | 170 | 25 | 9 | - | 02551077 |
| RE 6520 | H | 125 | 151 | 170 | 25 | 9 | - | 02551077 |
| GB 11000-13000 | H | 150 | 175 | 198 | 31 | 13.5 | - | 02551044 |
| GB 18000-21000 | H | 200 | 230 | 260 | 43.5 | 19 | - | 02551046 |

ES



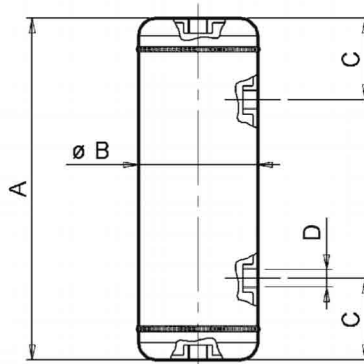
| | VERSION | A | ø B | C | ø D | E | CODE |
|--------------|-----------|----|-----|-----|-----|----|----------|
| RE 110-210 | NE | 50 | 80 | 108 | 18 | 54 | 40001831 |
| RE 240 | TE | 50 | 80 | 108 | 18 | 54 | 40001831 |
| RE 310-510 | NE-TE-TLE | 50 | 80 | 108 | 18 | 54 | 40001831 |
| RE 310-510 | NE-TE-TLE | 70 | 100 | 115 | - | - | 40001813 |
| RE 810 | TE | 70 | 100 | 115 | - | - | 40001813 |
| RE 1020-1520 | TE | 70 | 100 | 115 | - | - | 40001813 |

BF

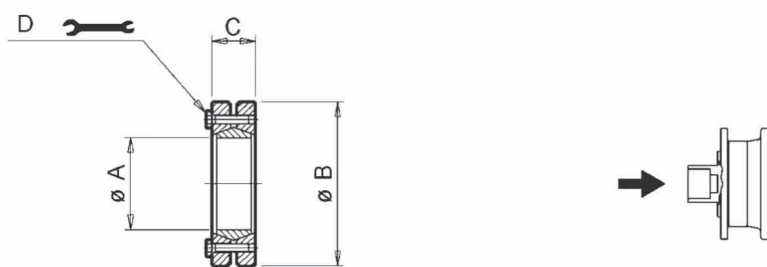


| | VERSION | A | B | CODE |
|-------------------|---------|--------------------|-----|----------|
| RE 110-210 | FS | B40x36 DIN 5482 | 250 | 40100901 |
| RE 240 | FS | B45x41 DIN 5482 | 250 | 02631093 |
| RE 310-510 | FS | B58x53 DIN 5482 | 250 | 40100904 |
| RE 810 | FS | B70x64 DIN 5482 | 250 | 40001855 |
| RE 1020-1520 | FS | B80x74 DIN 5482 | 250 | 40001856 |
| RE 2520 | FS | B100x94 DIN 5482 | 250 | 02631012 |
| RE 3510 | FS | W120x3x8f DIN 5480 | 250 | 02631086 |
| RE solo/only 6520 | FS | W140x5x8f DIN 5480 | 250 | 02631134 |

VE

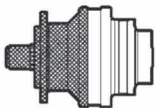
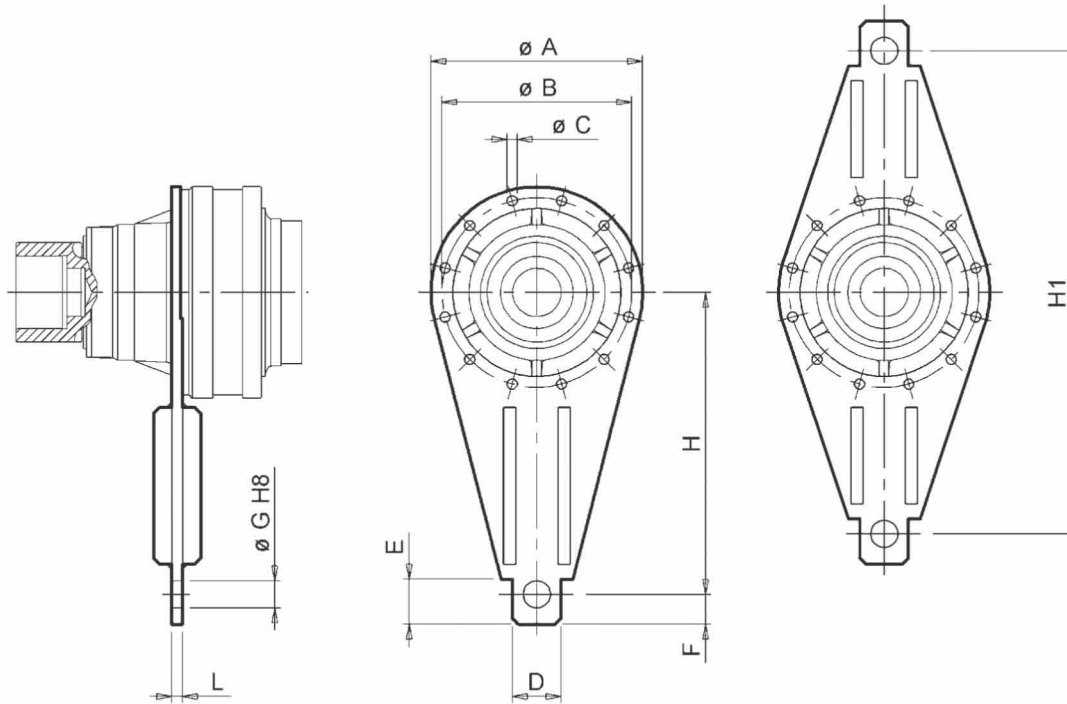


| A | ø B | C | D | CAPACITY | CODE |
|-----|-----|----|--------------|------------|----------|
| 230 | 80 | 55 | 1/4" GAS (4) | 1 LITRO | 40000627 |
| 330 | 130 | 85 | 1/4" GAS (4) | 3.8 LITRI | 40000702 |
| 330 | 160 | 85 | 1/4" GAS (4) | 5.5 LITRI | 40000703 |
| 510 | 150 | 85 | 1/4" GAS (4) | 7.7 LITRI | 40000704 |
| 690 | 150 | 85 | 1/4" GAS (4) | 10.7 LITRI | 40000706 |



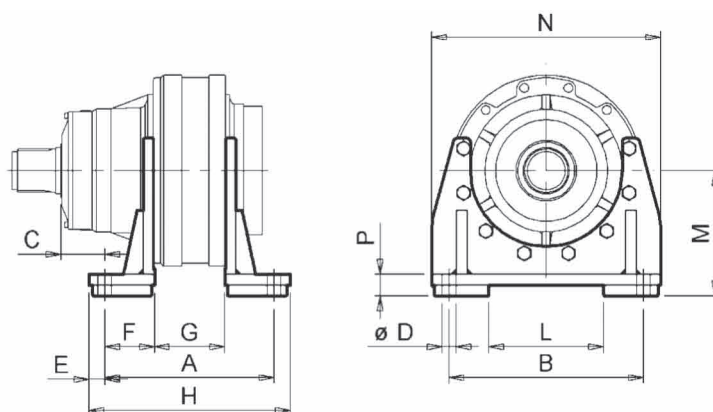
| | VERSION | ø A | ø B | C | D | | T max |
|----------------|---------|-----|-----|-----|---------------|--------|------------|
| RE 110-210 | NQ | 62 | 110 | 29 | M6-10.9 (10) | 12 Nm | 2000 Nm |
| RE 240-310-510 | NQ-TQ | 100 | 170 | 43 | M8-10.9 (12) | 29 Nm | 7500 Nm |
| RE 810 | TQ | 125 | 215 | 52 | M8-10.9 (12) | 90 Nm | 13000 Nm |
| RE 1020-1520 | HQ-TQ | 165 | 290 | 68 | M16-10.9 (8) | 240 Nm | 35000 Nm |
| RE 2520 | HQ | 175 | 300 | 68 | M16-10.9 (8) | 240 Nm | 44000 Nm |
| RE 3510 | HQ | 185 | 330 | 85 | M16-10.9 (10) | 240 Nm | 60000 Nm |
| RE 5020-6520 | HQ | 195 | 350 | 85 | M16-10.9 (12) | 240 Nm | 81500 Nm |
| GB 11000-13000 | HQ | 240 | 405 | 109 | M20-10.9 (12) | 490 Nm | 156000 Nm |
| GB 18000-21000 | HQ | 280 | 460 | 134 | M20-10.9 (16) | 490 Nm | 270000 Nm |
| GB 26000 | HQ | 280 | 460 | 172 | M20-10.9 (21) | 490 Nm | 355000 Nm |
| GB 31000-37000 | HQ | 360 | 590 | 162 | M20-10.9 (24) | 490 Nm | 522000 Nm |
| GB 40000 | HQ | 360 | 590 | 162 | M20-10.9 (24) | 490 Nm | 522000 Nm |
| GB 45000 | HQ | 380 | 645 | 168 | M24-10.9 (20) | 840 Nm | 610000 Nm |
| GB 53000-61000 | HQ | 390 | 660 | 168 | M24-10.9 (21) | 840 Nm | 718000 Nm |
| GB 85000 | HQ | 460 | 770 | 202 | M24-10.9 (28) | 840 Nm | 1140000 Nm |

BR

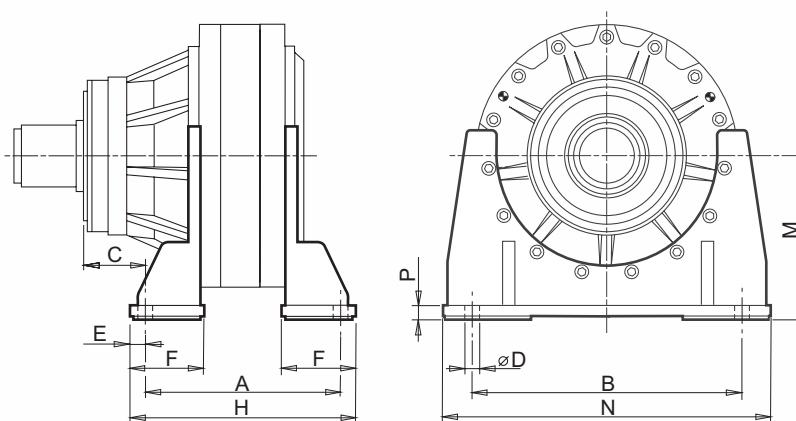


| | VERSION | $\varnothing A$ | $\varnothing B$ | $\varnothing C$ | D | E | F | $\varnothing G$ | H | H1 | L |
|----------------------|---------|-----------------|-----------------|-----------------|-----|-----|-----|-----------------|------|------|----|
| RE 110-210 | N | 185 | 165 | 11 (8) | 60 | 50 | 35 | 25 | 300 | 450 | 15 |
| RE 110-210 | T-TR | 185 | 194 | 11 (10) | 70 | 50 | 35 | 35 | 300 | 450 | 15 |
| RE 240 | TR | 219 | 194 | 11 (10) | 70 | 50 | 35 | 35 | 300 | 450 | 15 |
| RE 240 | T | 219 | 195 | 13 (10) | 60 | 50 | 35 | 30 | 350 | 500 | 15 |
| RE 310-510 | N - NU* | 222 | 195 | 13 (10) | 70 | 60 | 40 | 35 | 350 | 500 | 15 |
| RE 810 | T | 280 | 250 | 15 (12) | 75 | 65 | 45 | 40 | 400 | 600 | 15 |
| RE 1020 | T | 325 | 295 | 17 (10) | 80 | 75 | 50 | 45 | 500 | 800 | 17 |
| RE 1520 | T | 325 | 295 | 17 (10) | 80 | 75 | 50 | 45 | 500 | 800 | 17 |
| RE 1520 | H | 350 | 314 | 17 (12) | 80 | 75 | 50 | 45 | 500 | 800 | 17 |
| RE 2520 | H | 409 | 370 | 17 (15) | 95 | 125 | 60 | 50 | 700 | 1000 | 18 |
| RE 3510 | H | 452 | 424 | 17 (18) | 100 | 130 | 65 | 50 | 800 | 1100 | 20 |
| RE 5020-6520 | H | 490 | 445 | 19 (24) | 110 | 140 | 70 | 55 | 900 | 1200 | 20 |
| GB 11000-13000 | H | 610 | 560 | 25 (24) | 120 | 120 | 80 | 60 | 1100 | 1400 | 22 |
| GB 18000-21000-26000 | H | 710 | 660 | 28 (36) | 130 | 145 | 90 | 65 | 1300 | 1600 | 35 |
| GB 31000-37000 | H | 870 | 870 | 32 (36) | 140 | 160 | 100 | 70 | 1500 | 2000 | 40 |
| GB 40000-45000 | H | 870 | 870 | 32 (36) | 140 | 160 | 100 | 70 | 1500 | 2000 | 40 |
| GB 53000-61000-85000 | H | 1090 | 1090 | 39 (36) | 150 | 170 | 110 | 75 | 1500 | 2000 | 60 |
| GB 110000-130000 | H | 1540 | 1450 | 43 (40) | 200 | 180 | 120 | 100 | 1800 | 2500 | 50 |

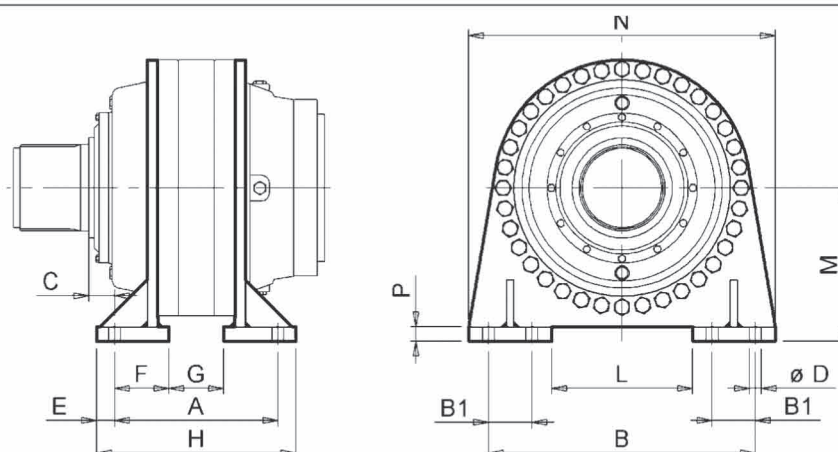
Torque arm code 02531016 / Brazo de reacción (código) 02531016



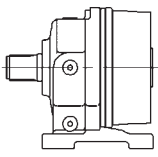
| | A | B | C | øD | E | F | G | H | L | M | N | P | CODE |
|---------|-----|-----|-------|--------|------|-------|-----|-----|-----|-----|-----|----|----------|
| RE 1520 | 310 | 356 | 80.5 | 25 (4) | 29.5 | 90.5 | 129 | 369 | 210 | 230 | 420 | 40 | 99119300 |
| RE 3510 | 334 | 457 | 2 | 33 (4) | 36 | 120 | 94 | 406 | - | 280 | 547 | 28 | 99119700 |
| RE 5020 | 390 | 508 | 114.5 | 33 (4) | 43.5 | 126.5 | 137 | 477 | 360 | 315 | 610 | 35 | 99119800 |



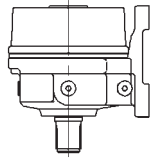
| | A | B | C | øD | E | F | H | M | N | P | CODE |
|---------|-----|-----|------|-------|----|-----|-----|-----|-----|----|----------|
| RE 2520 | 334 | 457 | 78.5 | 32(4) | 36 | 150 | 406 | 280 | 550 | 34 | 99115000 |



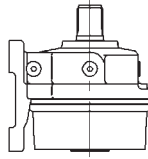
| | A | B | B1 | C | øD | E | F | G | H | L | M | N | P | CODE |
|----------------|-----|-----|-------|------|--------|------|-------|-----|-----|-----|-----|------|----|----------|
| RE 6520 | 390 | 508 | 114.5 | 14.5 | 33 (4) | 43.5 | 126.5 | 137 | 477 | 360 | 315 | 610 | 35 | 99119800 |
| GB 11000-13000 | 375 | 630 | 100 | 52 | 29 (8) | 40 | 110 | 155 | 455 | 340 | 360 | 720 | 38 | 99171000 |
| GB 18000-21000 | 432 | 740 | 120 | 62 | 33 (8) | 50 | 150 | 132 | 532 | 390 | 425 | 850 | 40 | 99171100 |
| GB 26000 | 452 | 740 | 120 | 62 | 33 (8) | 50 | 150 | 152 | 552 | 390 | 425 | 850 | 40 | 99171200 |
| GB 31000-37000 | 550 | 900 | 150 | 75 | 45 (8) | 75 | 185 | 180 | 700 | 480 | 530 | 1020 | 50 | 99171300 |
| GB 40000-45000 | 590 | 900 | 150 | 75 | 45 (8) | 75 | 185 | 220 | 740 | 480 | 530 | 1020 | 50 | 99171400 |



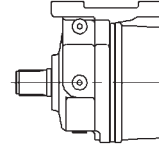
B3



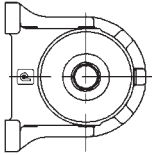
V5



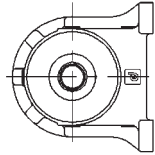
V6



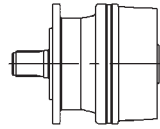
B8



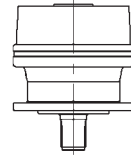
B6



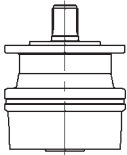
B7



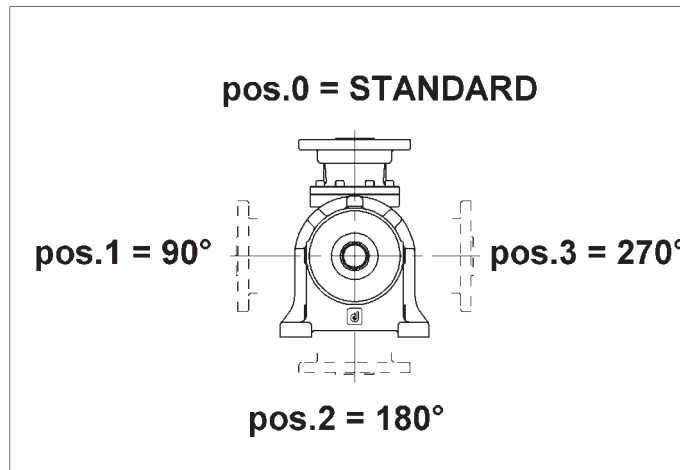
B5

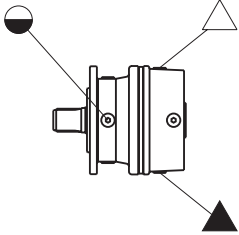
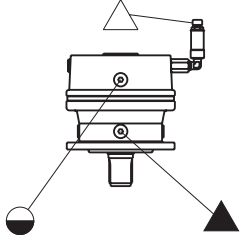
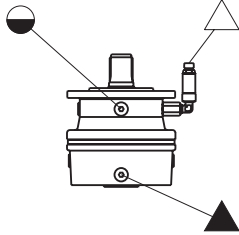


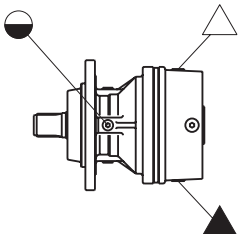
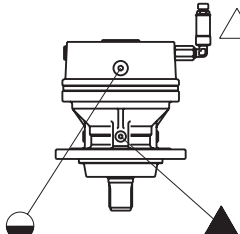
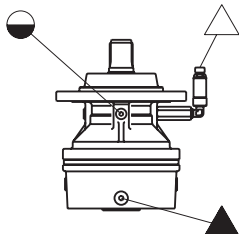
V1

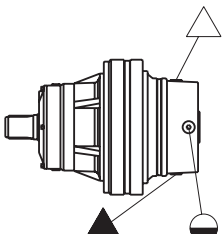
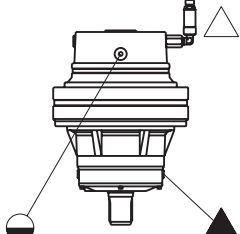
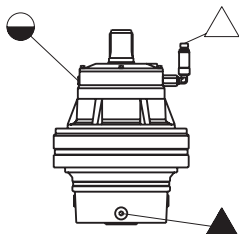


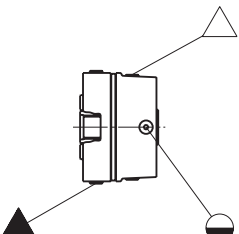
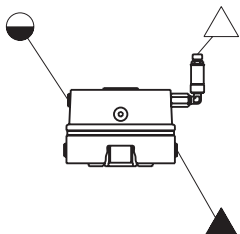
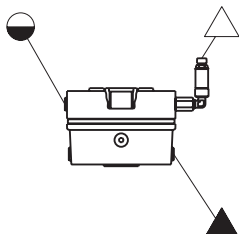
V3

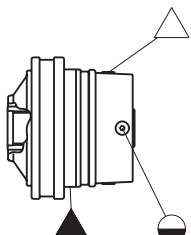
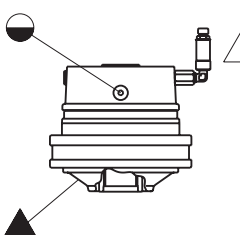
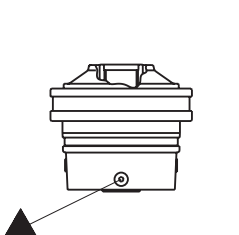


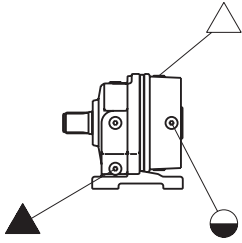
| | | | | | | |
|----------|---|-----------|---|-----------|---|-----------|
| N |  | B5 |  | V1 |  | V3 |
| | 110 ÷ 1520 | | | | | |

| | | | | | | |
|--------------------|---|-----------|---|-----------|---|-----------|
| T - TL - TR |  | B5 |  | V1 |  | V3 |
| | 110 ÷ 810 | | | | | |

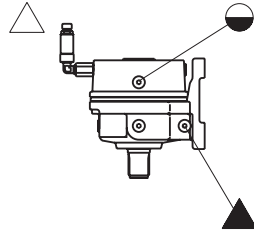
| | | | | | | |
|----------|---|-----------|---|-----------|---|-----------|
| H |  | B5 |  | V1 |  | V3 |
| | 1520 ÷ 130000 | | | | | |

| | | | | | | |
|----------|---|-----------|---|-----------|---|-----------|
| F |  | B5 |  | V1 |  | V3 |
| | 110 ÷ 810 | | | | | |

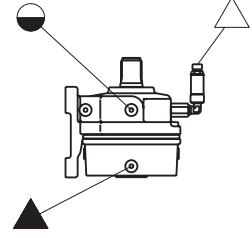
| | | | | | | |
|----------|---|-----------|---|-----------|---|-----------|
| F |  | B5 |  | V1 |  | V3 |
| | 1020 ÷ 1520 | | | | | |



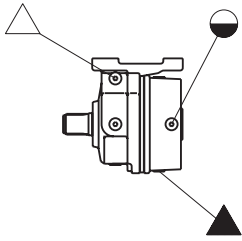
B3



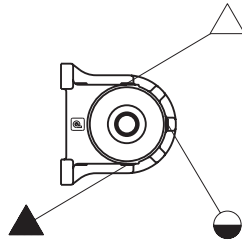
V5



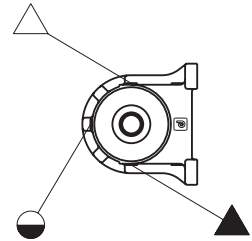
V6



B8



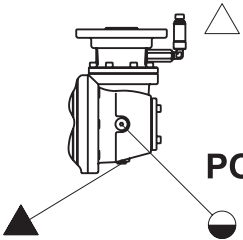
B6



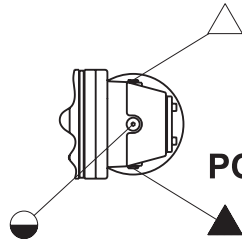
B7

P

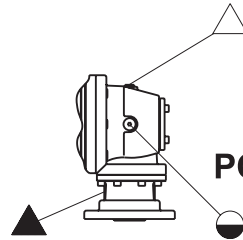
110 ÷ 810



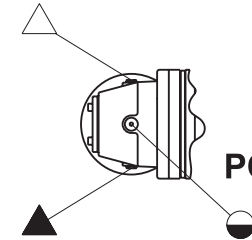
POS.0



POS.1



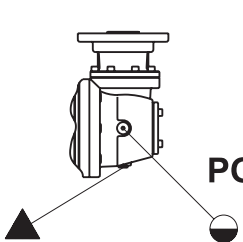
POS.2



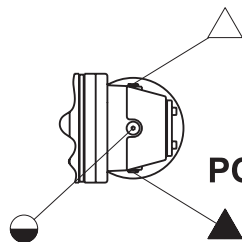
POS.3

RAS

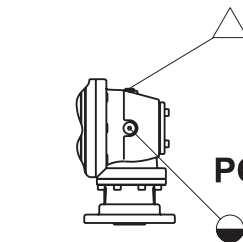
110 ÷ 510



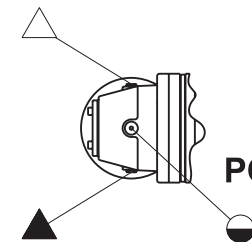
POS.0



POS.1




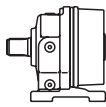
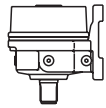
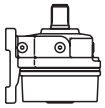
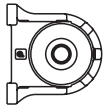
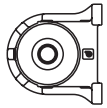
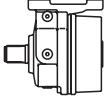
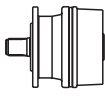
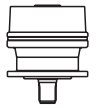
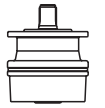
POS.2




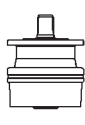
POS.3

RAD

110 ÷ 510

|  | B3 | V5 | V6 | B6 | B7 | B8 | B5 | V1 | V3 |
|---|---|---|---|---|---|--|---|---|---|
| |  |  |  |  |  |  |  |  |  |
| RE 111 | 0.8 | 1.6 | 1.6 | 0.7 | 0.7 | 0.8 | 0.5 | 1.0 | 1.0 |
| RE 112 | 1.0 | 2.0 | 2.0 | 0.9 | 0.9 | 1.0 | 0.7 | 1.4 | 1.4 |
| RE 113 | 1.2 | 2.4 | 2.4 | 1.1 | 1.1 | 1.2 | 0.9 | 1.8 | 1.8 |
| RE 114 | 1.4 | 2.8 | 2.8 | 1.3 | 1.3 | 1.4 | 1.1 | 2.2 | 2.2 |
| RE 211 | 0.9 | 1.8 | 1.8 | 0.8 | 0.8 | 0.9 | 0.6 | 1.2 | 1.2 |
| RE 212 | 1.1 | 2.2 | 2.2 | 1.0 | 1.0 | 1.1 | 0.8 | 1.6 | 1.6 |
| RE 213 | 1.3 | 2.6 | 2.6 | 1.2 | 1.2 | 1.3 | 1.0 | 2.0 | 2.0 |
| RE 214 | 1.5 | 3.0 | 3.0 | 1.4 | 1.4 | 1.5 | 1.2 | 2.4 | 2.4 |
| RE 241 | 1.2 | 2.4 | 2.4 | 1.1 | 1.1 | 1.2 | 0.9 | 1.8 | 1.8 |
| RE 242 | 1.4 | 2.8 | 2.8 | 1.3 | 1.3 | 1.4 | 1.1 | 2.2 | 2.2 |
| RE 243 | 1.6 | 3.2 | 3.2 | 1.5 | 1.5 | 1.6 | 1.3 | 2.6 | 2.6 |
| RE 244 | 1.8 | 3.6 | 3.6 | 1.7 | 1.7 | 1.8 | 1.5 | 3.0 | 3.0 |
| RE 311 | 1.5 | 3.0 | 3.0 | 1.4 | 1.4 | 1.5 | 1.0 | 2.0 | 2.0 |
| RE 312 | 1.8 | 3.6 | 3.6 | 1.7 | 1.7 | 1.8 | 1.3 | 2.6 | 2.6 |
| RE 313 | 2.0 | 4.0 | 4.0 | 1.9 | 1.9 | 2.0 | 1.5 | 3.0 | 3.0 |
| RE 314 | 2.2 | 4.4 | 4.4 | 2.1 | 2.1 | 2.2 | 1.7 | 3.4 | 3.4 |
| RE 511 | 1.6 | 3.2 | 3.2 | 1.5 | 1.5 | 1.6 | 1.1 | 2.2 | 2.2 |
| RE 512 | 2.0 | 4.0 | 4.0 | 1.9 | 1.9 | 2.0 | 1.5 | 3.0 | 3.0 |
| RE 513 | 2.3 | 4.6 | 4.6 | 2.2 | 2.2 | 2.3 | 1.8 | 3.6 | 3.6 |
| RE 514 | 2.5 | 5.0 | 5.0 | 2.4 | 2.4 | 2.5 | 2.0 | 4.0 | 4.0 |
| RE 811 | 2.4 | 4.8 | 4.8 | 2.3 | 2.3 | 2.4 | 1.6 | 3.2 | 3.2 |
| RE 812 | 2.8 | 5.6 | 5.6 | 2.7 | 2.7 | 2.8 | 2.0 | 4.0 | 4.0 |
| RE 813 | 3.1 | 6.2 | 6.2 | 3.0 | 3.0 | 3.1 | 2.3 | 4.6 | 4.6 |
| RE 814 | 3.3 | 6.6 | 6.6 | 3.2 | 3.2 | 3.3 | 2.5 | 5.0 | 5.0 |
| RE 1021 | - | - | - | - | - | - | 2.4 | 4.8 | 4.8 |
| RE 1022 | - | - | - | - | - | - | 3.1 | 6.2 | 6.2 |
| RE 1023 | - | - | - | - | - | - | 3.5 | 7.0 | 7.0 |
| RE 1024 | - | - | - | - | - | - | 3.8 | 7.6 | 7.6 |
| RE 1521 | - | - | - | - | - | - | 2.6 | 5.2 | 5.2 |
| RE 1522 | - | - | - | - | - | - | 3.3 | 6.6 | 6.6 |
| RE 1523 | - | - | - | - | - | - | 3.7 | 7.4 | 7.4 |
| RE 1524 | - | - | - | - | - | - | 4.0 | 8.0 | 8.0 |
| RE 2521 | - | - | - | - | - | - | 3.7 | 7.4 | 7.4 |
| RE 2522 | - | - | - | - | - | - | 4.6 | 9.2 | 9.2 |
| RE 2523 | - | - | - | - | - | - | 5.0 | 10.0 | 10.0 |
| RE 2524 | - | - | - | - | - | - | 5.3 | 10.6 | 10.6 |

| <i>ℓ</i> | B5 | V1 | V3 |
|--|---|---|---|
|  |  |  |  |
| RE 3511 | 4.0 | 8.0 | 8.0 |
| RE 3512 | 5.5 | 11.0 | 11.0 |
| RE 3513 | 6.0 | 12.0 | 12.0 |
| RE 3514 | 6.3 | 12.6 | 12.6 |
| RE 5021 | 6.7 | 13.4 | 13.4 |
| RE 5022 | 8 | 16 | 16 |
| RE 5023 | 8.6 | 17.2 | 17.2 |
| RE 5024 | 9 | 18 | 18 |
| RE 6511 | 8.2 | 16.4 | 16.4 |
| RE 6512 | 9.5 | 19 | 19 |
| RE 6513 | 10.7 | 21.4 | 21.4 |
| RE 6514 | 11.1 | 22.2 | 22.2 |
| GB 11001 | 8.7 | 17.4 | 17.4 |
| GB 11002 | 10.0 | 20.0 | 20.0 |
| GB 11003 | 11.2 | 22.4 | 22.4 |
| GB 11004 | 11.5 | 23.0 | 23.0 |
| GB 11005 | 12.0 | 24.0 | 24.0 |
| GB 13001 | 15.0 | 30.0 | 30.0 |
| GB 13002 | 16.4 | 32.8 | 32.8 |
| GB 13003 | 17.6 | 35.2 | 35.2 |
| GB 13004 | 18.1 | 36.2 | 36.2 |
| GB 13005 | 18.4 | 36.8 | 36.8 |
| GB 18001 | 21.0 | 42.0 | 42.0 |
| GB 18002 | 23.4 | 46.8 | 46.8 |
| GB 18003 | 24.8 | 49.6 | 49.6 |
| GB 18004 | 25.2 | 50.4 | 50.4 |
| GB 18005 | 25.5 | 51.0 | 51.0 |
| GB 21001 | 21.0 | 42.0 | 42.0 |
| GB 21002 | 23.4 | 46.8 | 46.8 |
| GB 21003 | 24.8 | 49.6 | 49.6 |
| GB 21004 | 25.2 | 50.4 | 50.4 |
| GB 21005 | 25.5 | 51.0 | 51.0 |
| GB 26001 | 30.0 | 60.0 | 60.0 |
| GB 26002 | 32.4 | 64.8 | 64.8 |
| GB 26003 | 33.8 | 67.6 | 67.6 |
| GB 26004 | 34.2 | 68.4 | 68.4 |
| GB 26005 | 34.5 | 69.0 | 69.0 |
| GB 31001 | 42.5 | 85.0 | 85.0 |
| GB 31002 | 46.5 | 93.0 | 93.0 |
| GB 31003 | 47.9 | 95.8 | 95.8 |
| GB 31004 | 48.7 | 97.4 | 97.4 |


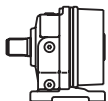
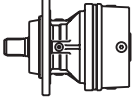
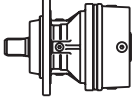
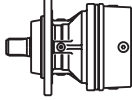
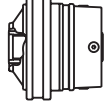
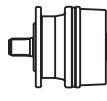
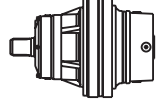
| <i>ℓ</i> | B5 | V1 | V3 |
|---|---|--|---|
|  |  |  |  |
| GB 31005 | 49.1 | 98.2 | 98.2 |
| GB 37001 | 42.5 | 85.0 | 85.0 |
| GB 37002 | 46.5 | 93.0 | 93.0 |
| GB 37003 | 47.9 | 95.8 | 95.8 |
| GB 37004 | 48.7 | 97.4 | 97.4 |
| GB 37005 | 49.1 | 98.2 | 98.2 |
| GB 45001 | 46.0 | 92.0 | 92.0 |
| GB 45002 | 50.0 | 100.0 | 100.0 |
| GB 45003 | 51.4 | 102.8 | 102.8 |
| GB 45004 | 52.2 | 104.4 | 104.4 |
| GB 45005 | 52.6 | 105.2 | 105.2 |
| GB 40001 | 44.5 | 88.5 | 88.5 |
| GB 40002 | 48.5 | 96.5 | 96.5 |
| GB 40003 | 49.7 | 99.3 | 99.3 |
| GB 40004 | 50.5 | 100.9 | 100.9 |
| GB 40005 | 51.0 | 101.7 | 101.7 |
| GB 53001 | 50.0 | 100.0 | 100.0 |
| GB 53002 | 60.0 | 120.0 | 120.0 |
| GB 53003 | 62.5 | 125.0 | 125.0 |
| GB 53004 | 63.5 | 127.0 | 127.0 |
| GB 53005 | 64.0 | 128.0 | 128.0 |
| GB 61001 | 50.0 | 100.0 | 100.0 |
| GB 61002 | 60.0 | 120.0 | 120.0 |
| GB 61003 | 62.5 | 125.0 | 125.0 |
| GB 61004 | 63.5 | 127.0 | 127.0 |
| GB 61005 | 64.0 | 128.0 | 128.0 |
| GB 85001 | 70.0 | 140.0 | 140.0 |
| GB 85002 | 80.0 | 160.0 | 160.0 |
| GB 85003 | 82.5 | 165.0 | 165.0 |
| GB 85004 | 83.5 | 167.0 | 167.0 |
| GB 85005 | 84.0 | 168.0 | 168.0 |
| GB 110001 | 100.0 | 200.0 | 200.0 |
| GB 110002 | 141.8 | 283.6 | 283.6 |
| GB 110003 | 145.8 | 291.6 | 291.6 |
| GB 110004 | 147.2 | 294.4 | 294.4 |
| GB 110005 | 148.0 | 296.0 | 296.0 |
| GB 130001 | 100.0 | 200.0 | 200.0 |
| GB 130002 | 141.8 | 283.6 | 283.6 |
| GB 130003 | 145.8 | 291.6 | 291.6 |
| GB 130004 | 147.2 | 294.4 | 294.4 |
| GB 130005 | 148.0 | 296.0 | 296.0 |


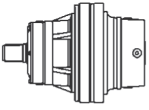
UK


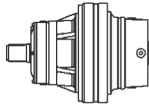
INDICATIVE QUANTITIES
SEE POINT 9.1


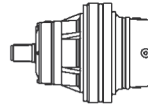
E

CANTIDADES INDICATIVAS
VER PUNTO 9.1

|  | P | T | TL | TR | F | N | H |
|---|---|---|---|---|---|---|---|
| |  |  |  |  |  |  |  |
| RE 111 | 23 | 20 | - | 20 | 16 | 18 | - |
| RE 112 | 27 | 24 | - | 24 | 20 | 22 | - |
| RE 113 | 31 | 28 | - | 28 | 24 | 26 | - |
| RE 114 | 35 | 32 | - | 32 | 28 | 30 | - |
| RE 211 | 26 | 23 | - | 23 | 19 | 21 | - |
| RE 212 | 30 | 27 | - | 27 | 23 | 25 | - |
| RE 213 | 34 | 31 | - | 31 | 27 | 29 | - |
| RE 214 | 38 | 35 | - | 35 | 31 | 33 | - |
| RE 241 | 40 | - | - | 35 | 31 | 33 | - |
| RE 242 | 44 | - | - | 39 | 35 | 37 | - |
| RE 243 | 48 | - | - | 43 | 39 | 41 | - |
| RE 244 | 52 | - | - | 47 | 43 | 45 | - |
| RE 311 | 42 | 37 | 37 | - | 33 | 36 | - |
| RE 312 | 49 | 44 | 44 | - | 40 | 43 | - |
| RE 313 | 53 | 48 | 48 | - | 44 | 47 | - |
| RE 314 | 57 | 52 | 52 | - | 48 | 51 | - |
| RE 511 | 45 | 40 | 40 | - | 36 | 39 | - |
| RE 512 | 52 | 47 | 47 | - | 43 | 46 | - |
| RE 513 | 56 | 51 | 51 | - | 47 | 50 | - |
| RE 514 | 60 | 55 | 55 | - | 51 | 54 | - |
| RE 811 | 80 | 70 | - | - | 65 | 68 | - |
| RE 812 | 89 | 79 | - | - | 74 | 77 | - |
| RE 813 | 93 | 83 | - | - | 78 | 81 | - |
| RE 814 | 97 | 87 | - | - | 82 | 85 | - |
| RE 1021 | - | - | - | - | 70 | 73 | - |
| RE 1022 | - | - | - | - | 79 | 82 | - |
| RE 1023 | - | - | - | - | 83 | 86 | - |
| RE 1024 | - | - | - | - | 87 | 90 | - |
| RE 1521 | - | - | - | - | 85 | 95 | 105 |
| RE 1522 | - | - | - | - | 97 | 107 | 117 |
| RE 1523 | - | - | - | - | 104 | 114 | 124 |
| RE 1524 | - | - | - | - | 108 | 118 | 128 |
| RE 2521 | - | - | - | - | - | - | 135 |
| RE 2522 | - | - | - | - | - | - | 165 |
| RE 2523 | - | - | - | - | - | - | 174 |
| RE 2524 | - | - | - | - | - | - | 178 |

|  | H  |
|--|---|
| RE 3511 | 180 |
| RE 3512 | 225 |
| RE 3513 | 237 |
| RE 3514 | 244 |
| RE 5021 | 330 |
| RE 5022 | 390 |
| RE 5023 | 402 |
| RE 5024 | 409 |
| RE 6521 | 390 |
| RE 6522 | 450 |
| RE 6523 | 462 |
| RE 6524 | 469 |
| GB 11001 | 519 |
| GB 11002 | 635 |
| GB 11003 | 662 |
| GB 11004 | 673 |
| GB 11005 | 682 |
| GB 13001 | 685 |
| GB 13002 | 805 |
| GB 13003 | 855 |
| GB 13004 | 871 |
| GB 13005 | 879 |
| GB 18001 | 1150 |
| GB 18002 | 1332 |
| GB 18003 | 1391 |
| GB 18004 | 1407 |
| GB 18005 | 1415 |
| GB 21001 | 1150 |
| GB 21002 | 1344 |
| GB 21003 | 1403 |
| GB 21004 | 1419 |
| GB 21005 | 1427 |
| GB 26001 | 1210 |
| GB 26002 | 1405 |
| GB 26003 | 1465 |
| GB 26004 | 1480 |
| GB 26005 | 1487 |

|  | H  |
|---|---|
| GB 31001 | 1950 |
| GB 31002 | 2263 |
| GB 31003 | 2379 |
| GB 31004 | 2406 |
| GB 31005 | 2418 |
| GB 37001 | 1950 |
| GB 37002 | 2283 |
| GB 37003 | 2399 |
| GB 37004 | 2426 |
| GB 37005 | 2438 |
| GB 40001 | 2025 |
| GB 40002 | 2356 |
| GB 40003 | 2474 |
| GB 40004 | 2500 |
| GB 40005 | 2514 |
| GB 45001 | 2100 |
| GB 45002 | 2430 |
| GB 45003 | 2550 |
| GB 45004 | 2575 |
| GB 45005 | 2590 |
| GB 53001 | 3175 |
| GB 53002 | 3972 |
| GB 53003 | 4166 |
| GB 53004 | 4225 |
| GB 53005 | 4241 |
| GB 61001 | 3175 |
| GB 61002 | 4015 |
| GB 61003 | 4209 |
| GB 61004 | 4268 |
| GB 61005 | 4284 |
| GB 85001 | 3390 |
| GB 85002 | 4290 |
| GB 85003 | 4425 |
| GB 85004 | 4483 |
| GB 85005 | 4500 |
| GB 110001 | 6800 |
| GB 110002 | 8600 |

|  | H  |
|--|---|
| GB 110003 | 8720 |
| GB 110004 | 8750 |
| GB 110005 | 8758 |
| GB 130001 | 7100 |
| GB 130002 | 8900 |
| GB 130003 | 9020 |
| GB 130004 | 9050 |
| GB 130005 | 9058 |

UK

INDICATIVE WEIGHTS

E

VALORES DE PESO
INDICATIVO