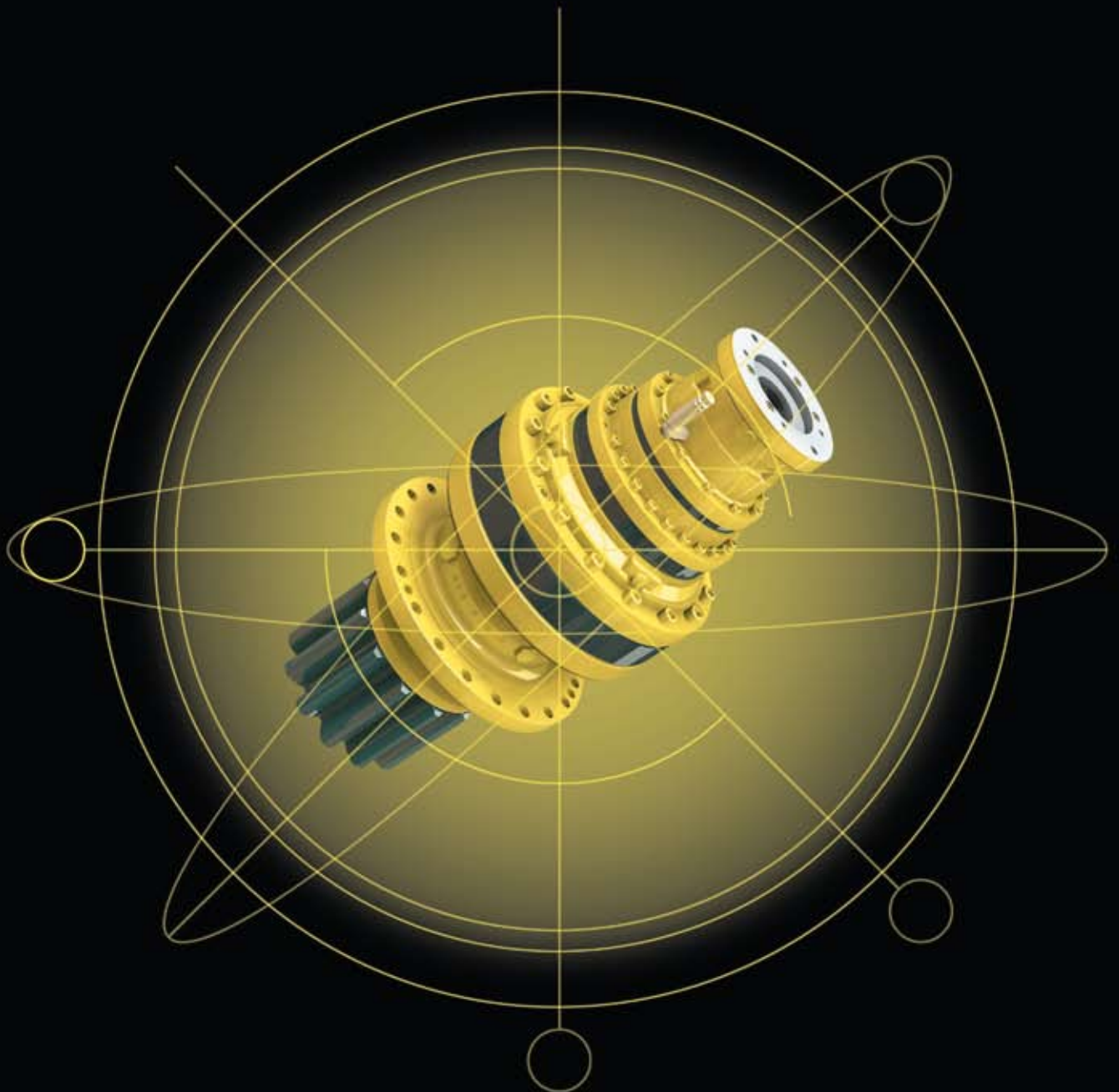


Slewing Gearboxes
Drehwerksgetriebe





Slewing Gearboxes
Drehwerksgetriebe



Applications - Anwendungen



SLEWING GEARBOXES - DREHWERKSGETRIEBE

Ratings **RE_2** (2 stages) - **RE_3** (3 stages)

Nearendmoment **RE_2** (2 Stufen) - **RE_3** (3 Stufen)

Type Typ	RE240			RE310			RE510			RE610			RE810			RE1020			RE1520			RE2520			RE3510			RE5020			RE6520		
	in	ie	T2FEM* Nm	ie	T2FEM* Nm	ie	T2FEM* Nm	ie	T2FEM* Nm	ie	T2FEM* Nm	ie	T2FEM* Nm	ie	T2FEM* Nm	ie	T2FEM* Nm	ie	T2FEM* Nm	ie	T2FEM* Nm	ie	T2FEM* Nm	ie	T2FEM* Nm	ie	T2FEM* Nm	ie	T2FEM* Nm				
2	12.5	13.29	4352	12.53	4583	12.53	9530			12.83	14970	12.83	24124																				
	14	15.47	3716	14.79	4824	14.79	9946	14.40	12838	15.14	14183	15.14	24124	14.73	33651	14.25	54046	13.68	75579														
	16	16.28	4352	15.35	4513	15.35	9025	16.36	11173	17.65	14400	17.65	20856	17.39	32879	16.62	46706	16.88	66986	16.95	98354	16.00	140129										
	18			18.12	4824	18.12	9946	17.00	12838	18.36	11683	19.00	19413			18.53	41294					18.67	117741										
	20	18.95	3716	20.77	3217	20.77	6492	19.32	11173									19.68	66986	21.75	85633	20.80	136351										
	22.5	22.03	3401	22.74	3786	22.74	7800	21.33	12538	22.15	12994	22.15	20856	21.82	26383	21.60	41294	22.59	52440	22.09	77230												
	25	25.64	3716	24.52	3763	24.52	7592	24.24	11173	25.75	10865	25.75	20856	25.36	22117	26.52	41294	24.16	65279	25.81	67314	24.27	117741										
	28	27.49	2409	26.43	3113	26.43	6427	28.18	11173	27.20	11683	27.20	16895	28.00	25062	30.28	41294	27.73	52440	28.35	77230	29.17	117741										
	32.5	31.32	2908	30.77	3786	30.77	7800	30.00	8148	31.62	11683	31.62	16895	32.55	25062			31.67	52440	33.65	77230												
	35.5			35.77	3113	35.77	6427	34.09	9190	36.11	9724	36.11	14063	33.23	19319	35.66	35513	37.29	52440	34.13	56937												
	40	39.09	2908	38.40	3303	38.40	6687			38.25	10244	38.25	16895	39.38	21690					40.50	56937												
	45			44.64	3113	44.64	6427			43.68	9724	43.68	14063	46.73	19319	42.86	31354	44.31	44402														
	50			54.00	2368	54.00	4878			51.43	8140	51.43	11775																				
	3	45	46.24	4352	43.60	4583	43.60	9530																									
50		53.82	3716	51.47	4824	51.47	9946	50.11	12838	52.69	14183	52.69	24124	51.25	33651	51.30	53251	49.25	75579														
56		56.65	4352	53.41	4583	53.41	9530	59.16	12838	54.68	14717	54.68	24124	60.50	32879	59.82	46706	58.14	75579			57.00	140129										
63		65.94	3716	63.05	4824	63.05	9946	61.39	12838	63.75	14400	63.75	20856	62.78	33535	60.56	51521	60.75	66986	61.01	98354	66.46	140129										
71		69.39	4352	72.28	4583	72.28	9530	72.47	12838	75.26	14400	73.99	21510	74.12	32879	70.62	46706	72.96	75579	72.03	98354	74.10	136351										
80		76.66	4352	77.24	4824	77.24	9946	83.08	11892	77.10	12994	81.00	23157	80.57	25062	78.73	41294	82.33	52440	78.30	85633	86.40	136351										
90		93.91	4352	85.33	4824	85.33	9946	90.95	12538	87.35	12467	89.62	20856	93.01	26383	86.70	38490	90.00	66986	90.39	98354	95.20	117741										
100		95.67	4352	104.53	4824	104.53	9946	98.08	12838	101.85	14400	101.85	20856	100.31	28657	103.02	40151	98.89	65340	102.06	77230	100.80	117741										
112		111.36	3716	106.49	4824	110.50	8948	111.45	11173	109.62	11241	109.62	23157	109.04	25062	112.71	41294	104.94	66986	116.00	85633	106.08	136351										
125		117.20	4352	130.45	4824	130.45	9946	123.08	12538	127.81	12994	127.81	20856	125.87	26383	128.70	41294	121.99	66986	120.49	77230	121.13	136351										
140		147.93	3716	141.46	3763	141.46	7592	139.86	11173	134.80	11683	148.58	20856	146.33	22117	141.44	41294	149.78	65279	134.85	85633	141.32	117741										
160		158.60	3401	163.71	3786	163.71	7800	162.59	11173	156.92	11683	159.51	20856	157.09	25238	164.42	41294	168.88	52440	151.20	77230	166.40	117741										
180		184.62	3716	176.54	3763	176.54	7592	178.56	10486	182.42	11683	185.43	20856	182.62	22117	187.75	41294	181.18	65279	175.77	77230	200.00	117741										
200		197.93	2409	190.31	3113	190.31	6427	202.91	11173	195.84	11683	195.84	16895	201.60	25062	198.90	41294	207.98	52440	208.61	77230												
225		230.40	2781	221.54	3786	221.54	7800			227.66	11683	227.66	16895	234.36	25062	221.07	35513	237.49	52440	212.63	77230												
250			257.54	3113	257.54	6427	245.45	9190	251.98	9724			239.26	19319	239.06	31354	247.15	44402	252.35	77230													
280	281.42	2908	276.48	3303	276.48	6687			275.40	10244	275.40	16895	278.14	19319	267.43	35513	279.64	52440	303.75	56937													
315			321.41	3113	321.41	6427			314.47	9724	314.47	14063			321.43	31354	332.31	44402															

* It could be limited by pinion performance / Es könnte durch die Ritzelleistung begrenzt sein

in		Renard numbers ratios	Untersetzen nach Normzahlen
ie		Actual ratio	Effektive Untersetzung
T₂FEM	[Nm]	Nominal output torque according to FEM M2 (T ₂ -L ₂) with 25 rpm	Nennabtriebsdrehmoment nach FEM M2 (T ₂ -L ₂) mit 25 min ⁻¹
T₂CONT	[Nm]	Output continuous torque	Dauerabtriebsdrehmoment
T_{max}dyn	[Nm]	Max dynamic output torque	Max dynamisches Abtriebsdrehmoment
T_{max}stat	[Nm]	Max static output torque	Max statisches Abtriebsdrehmoment

SLEWING GEARBOXES - DREHWERKSGETRIEBE

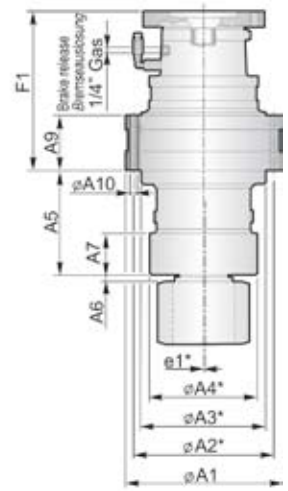
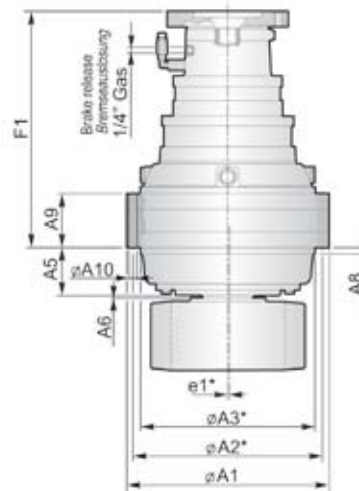
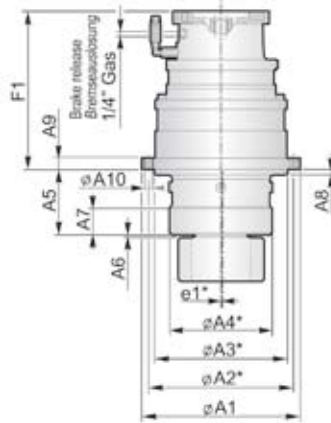
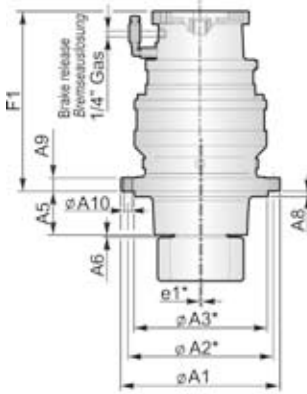
1

2

3

4

Possible different flange according to mounted motor / Je nach angebaute Motor sind verschiedene Flansche möglich



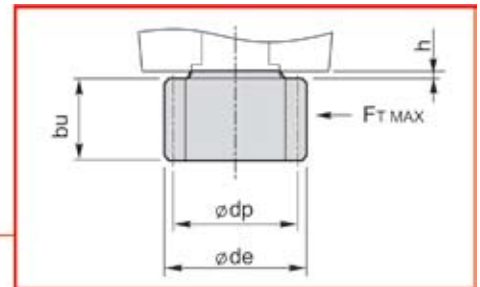
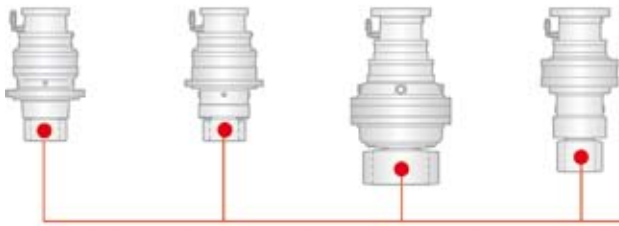
* Eccentricity - Exzentrizität

Output dimension - Masse am Getriebeausgang

Type Typ	T2-CONT [Nm]	ø A1	ø A2	ø A3	A4	A5	A6	A7	A8	A9	ØA10	n° A10	F1		e1	
													2 Stages / Stufen	3 Stufen		
RE 240 DBS	1	4350	214	190	160 h8	—	54.5	2	—	12	12	12.5	12	322.5	—	—
RE 240 T4	1	4350	250	227	180 h8	—	46.5	3.5	—	15	20	12.5	8	229.5	—	—
RE 310 NR	1	4820	224	190	150 f7	—	20.5	7.5	—	8.5	20	14.5	8	336.5	379.5	—
RE 310 T	1	4820	272	245	175 h7	—	38	1.5	—	12	20	12.5	20	319	362	1.5
RE 310 T6	1	4820	272	245	175 h7	—	38	1.5	—	9	20	18	10	319	362	—
RE 310 T8	1	4820	240	215	175 h7	—	38	1.5	—	9	20	17	12	319	362	—
RE 310 T9	1	4820	250	227	180 h8	—	38	1.5	—	12	20	12.5	10	319	362	—
RE 510 NR	1	7730	224	190	150 f7	—	20.5	7.5	—	8.5	20	14.5	8	373.5	416.5	—
RE 510 T	1	9940	272	245	175 h7	—	38	1.5	—	12	20	12.5	20	366.5	409.5	1.5
RE 510 T6	1	9940	272	245	175 h7	—	38	1.5	—	9	20	18	10	349	392	—
RE 510 T8	1	9940	240	215	175 h7	—	38	1.5	—	9	20	17	12	349	392	—
RE 510 T9	1	8430	250	227	180 h8	—	38	1.5	—	12	20	12.5	10	349	392	—
RE 510 T18	2	9940	350	325	290 h8	184 h8	286	5	72	10	20	14.5	12	349	392	—
RE 510 DBS	1	9940	280	250	215 f7	—	73	7	—	15	20	17	12	213.5	256.5	1.5
RE 610 T18	2	12830	350	325	290 h8	184 h8	286	5	72	10	20	14.5	12	216.5	260	—
RE 610 DBS	1	12830	340	310	250 h8	—	92	5	—	12	23.5	16.5	12	369.5	412	—
RE 810 TR	1	14960	280	250	200 f7	—	44.5	3.5	—	10.5	22	17	12	370.5	414	1.5
RE 1020 DBS	1	24120	355	325	298 h8	—	98	2	—	12	30	16.5	16	402.5	481	1.5
RE 1020 DBT	2	24120	355	325	298 h8	230 h8	147	2	60	12	25	16.5	16	353.5	432	1.5
RE 1020 Z	2	24120	365	326	250 h8	200 h8	217	8	62	20	40	18	12	297	351	1.5
RE 1020 Z1	2	24120	380	350	280 h7	230 h7	296.5	6	93.5	20	30	18	16	287	341	2.5
RE 1520 DBS	1	33650	420	380	340 h8	—	95	5	/	20	30	21	20	492	546	2.5
RE 1520 DBT	2	33650	420	380	340 h7	290 h7	215	5	45	20	30	21	16	367	422	—
RE 1520 Z	4	26030	350	314	278 h8	240 h8	233	5	92	30	123	16.5	12	310.5	364.5	—
RE 2520 DBS	1	54040	420	380	340 h8	—	97	3	/	20	30	21	20	—	585	2.5
RE 2520 Z	2	54040	500	460	410 h8	270 h8	370	9	95	25	25	22	12	—	388.25	/
RE 2520 Z1	2	54040	430	395	280 h7	240 h7	78	5	20	58	35	22	24	—	680.5	2.5
RE 3510 DBS1	1	75570	490	445	400 f7	—	104	7	—	18	37	21	24	—	801	1.5
RE 3510 T	1	75570	575	525	465 h7	—	110	5	—	20	42	26	24	—	729.5	2.5
RE 3510 Z2	2	75570	530	490	410 h8	325 h8	342	20	105	30	30	22	24	—	567	—
RE 3510 HR	3	63280	452	424	390 h7	—	107	2	—	15	120	17	18	—	480.5	2
RE 5020 Z1	2	98350	585	545	510 h8	360 h8	245.5	10	118	15	30	19	24	—	505	2
RE 5020 Z4	2	98350	680	630	575 h8	380 h8	510	16	145	25	30	26	16	—	520	2.5
RE 6520 Z1	2	111020	585	545	510 h8	360 h8	245.5	10	118	15	30	19	24	—	903.5	2
RE 6520 Z4	2	140120	680	630	575 h8	380 h8	510	16	145	25	30	26	16	—	798	2.5

All dimensions are in mm - Alle Abmessungen sind in mm

SLEWING GEARBOXES - DREHWERKSGETRIEBE



Pinion data - Ritzelraten

Type Typ	m	z	x	de	dp	bu	h	T_max_dyn [Nm]	T_max_stat [Nm]
RE 240 DB	8	14	0.5	134.75	112	68	2	5760	6430
RE 240 T4	8	11	0	104	88	60	1.5	2450	3060
RE 310 T	8	14	0.5	135	112	75	11	4920	7600
RE 310 NR	10	12	0.5	149	120	90	19.5	4920	7600
	8	12	0.5	120	96	83	10.5	4920	7600
	8	11	0.5	110.8	88	79	10.5	4920	7600
RE 310 T6	10	14	0.5	168	140	80	2	4920	7600
	10	13	0.6	161	130	86	16.5	4920	7600
RE 310 T8	10	12	0.55	150.5	120	93	3	4920	7600
RE 310 T9	10	11	0.43	136.8	110	85	20	4920	7600
RE 510 T	8	14	0.5	135	112	75	11	9580	11980
RE 510 NR	10	12	0.5	149	120	90	19.5	7730	12110
	8	12	0.5	120	96	83	10.5	7730	10410
	8	11	0.5	110.8	88	79	10.5	7730	9720
RE 510 T6	10	14	0.5	168	140	80	2	10160	14280
	10	13	0.6	161	130	86	16.5	10160	13250
RE 510 T8	10	12	0.55	150.5	120	93	3	10160	13000
RE 510 T9	10	11	0.43	136.8	110	85	20	8430	10880
RE 510 T18	8	14	0.355	138.68	112	78	4	9560	11950
RE 510 DB	10	11	0.5	137	110	78	7	10160	14280
	10	10	0.5	127	100	81.5	7	10160	13250
RE 610 DB	12	10	0.5	152.4	120	86	5	17310	18630
RE 610 T18	12	11	0.525	168.61	132	110	6	10950	13690
RE 810 TR	10	13	0.5	160	130	85	5.5	14470	18080
RE 1020 DB	12	12	0.5	177.33	144	88	2	16980	21230
	14	11	0.5	193.23	154	97	2	17880	22350
RE 1020 Z	10	12	0.2	144	120	90	21	15890	19860
RE 1020 Z1	16	11	0.57	222	176	118	6	21990	35770
RE 1520 DBS	16	10	0.5	203.2	160	120	5	27940	34930
	18	10	0.5	230.4	180	150	5	29680	37100
RE 1520 DBT	16	10	0.5	203.2	160	120	5	27940	34930
	18	10	0.5	230.4	180	150	5	29680	37100
RE 1520 Z	10	18	-	200	180	100	21	23720	29660
	16	10	0.5	206	160	120	6	24130	30160
	20	10	0.5	277	200	140	6	26030	34610
RE 2520 DB	18	12	0.5	266	216	176	3	37140	46420
	20	11	0.5	280	220	130	3	41420	51780
RE 2520 Z	14	13	0.5	224	182	125	5	57610	72010
	16	12	0.5	240	192	117	5	59590	77270
RE 2520 Z1	18	11	0.5	250.2	198	200	5	52210	65260
	18	10	0.5	234	180	168	5	53640	67050
RE 3510 DBS1	18	13	0.5	288	234	190	7	80970	111600
RE 3510 T	35	7	0.4	335	245	130	5	65590	81990
RE 3510 HR	16	17	-	304	272	142	12	52730	88110
	20	11	0.5	274.8	220	155	12	52730	75960
RE 5020 Z1	16	19	-	336	304	99	10	111020	139220
RE 5020 Z4	20	12	0.5	300	240	150	10	119100	159090
RE 6520 Z1	16	19	-	336	304	99	10	111020	139220
RE 6520 Z4	20	12	0.5	300	240	150	10	147070	159090

All dimensions are in mm - Alle Abmessungen sind in mm

SLEWING GEARBOXES - DREHWERKSGETRIEBE

Torque corrective factor according to FEM class
Korrekturfaktor für das Drehmoment bezogen auf die FEM-Klasse

		Class of utilization / Betriebsklasse						
		T2	T3	T4	T5	T6	T7	T8
Life in hours Lebensdauer in Stunden		400 to 800	800 to 1600	1600 to 3200	3200 to 6300	6300 to 12500	12500 to 25000	25000 to 50000
Spectrum class / Lastkollektiv	L1	M1 1.26	M2 1.13	M3 1.04	M4 0.99	M5 0.93	M6 0.83	M7 0.71
	L2	M2 1.00	M3 0.90	M4 0.83	M5 0.79	M6 0.74	M7 0.66	M8 0.56
	L3	M3 0.79	M4 0.71	M5 0.65	M6 0.62	M7 0.58	M8 0.52	M9 0.44
	L4	M4 0.63	M5 0.57	M6 0.52	M7 0.50	M8 0.46	M9 0.42	M10 0.36

Mechanism selection guide according to FEM 1.001/3
Geräteklassifizierung nach FEM 1.001/3

Type of appliance Typ der Anwendung	Type of mechanism / Tätigkeit				
	Hoisting Heben	Slewing Schwenken	Luffing Einziehen	Traverse Überfahren	Travel Verfahren
Hand-operated appliance Handbetriebene Anwendung	M1	—	—	M1	M1
Erection and cranes Hubkräne	M2-M3	M2-M3	M1-M2	M1-M2	M2-M3
Erection and dismantling cranes for power stations, machine shops Hub- und Montagekräne für Kraftwerke und Fabriken	M2	—	—	M2	M2
Stacking and reclaiming transporters Stapeln und Abbau von Containern	M5-M8	M4-M6	—	M4-M7	M5-M8
Workshop cranes Werkstattkräne	M6	M4	—	M4	M5
Overhead travelling cranes, pigbreaking cranes, scrapyard cranes Laufkräne, Schrottkräne	M8	M6	—	M6-M7	M7-M8
Ladle cranes Pfannenkräne	M7-M8	—	—	M4-M5	M6-M7
Soaking-pit cranes Kräne für Schmiedeöfen	M8	M6	—	M7	M8
Stripper cranes, open-hearth furnace-charging cranes Stripperkräne, Ladekräne für Siemens-Martin-Öfen	M8	M6	—	M7	M8
Forge cranes Schmiedekräne	M8	—	—	M5	M6
Bridge cranes for unloading, bridge cranes for containers Brückenkräne zum Abladen, Brückenkräne für Container	M4-M8	M4-M6	M3-M6	M4-M8	M4-M5
Drydock cranes, shipyard jib cranes Trockendockkräne, Werftkräne	M5-M6	M4-M5	M4-M5	M4-M5	M5-M6
Floating cranes and pontoon derricks for very heavy loads Schwimmkräne und Pontonkräne für sehr schwere Lasten	M3-M4	M3-M4	M3-M4	—	—
Deck cranes Deckkräne	M4-M6	M3-M4	M3-M4	M2-M5	M3-M4
Tower cranes for building Turmdrehkräne für Gebäude	M4	M5	M4	M3	M3
Derricks Ladekräne	M2-M3	M1-M2	M1-M2	—	—
Railway cranes allowed to run in train Eisenbahnkräne für den Schienenbetrieb	M3-M4	M2-M3	M2-M3	—	—

Machinery - Mechanische Fertigung



Planetary Gearbox Assembly Line - Getriebemontage



Il presente catalogo annulla e sostituisce i precedenti. DINAMIC OIL si riserva il diritto di apportare modifiche senza preavviso. È vietata la riproduzione anche parziale senza preventiva autorizzazione.

This catalogue cancels and replaces any previous edition. DINAMIC OIL reserves the right to implement modifications without notice. This catalogue cannot be reproduced, even partially, without prior consent.

Stampa 09/08
Printing 09/08

Realizzazione grafica: Ufficio marketing DINAMIC OIL
GEAR SOFT
PHIL.STUDIUM

Stampa: MODULO SEI

Special Thanks: **ATTUTA**
TEAM



Dinamic Oil S.p.A.

Via Togliatti, 15 - 41030 - Bomporto (Modena, Italy)

Phone: +39 059 812611 Fax: +39 059 812600

Mail: dinamicoil@dinamicoil.it - www.dinamicoil.com